

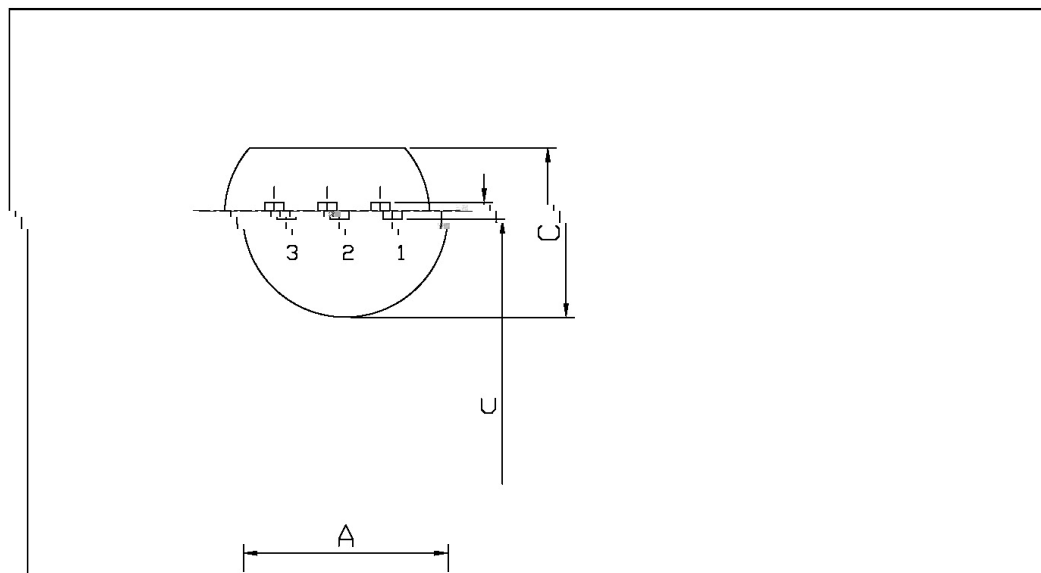
2SA1020

2SA1020

/ Package Dimensions

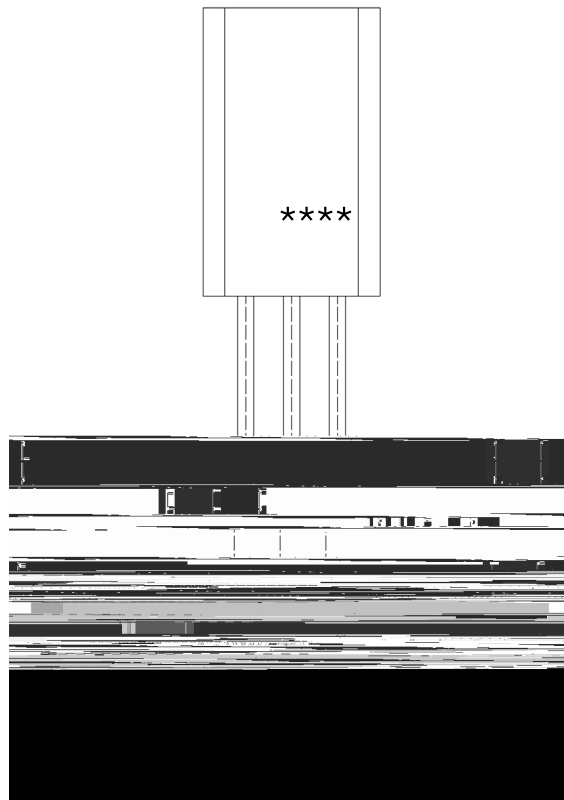
TO-92LM

Unit: mm



Symbol	Dimensions In Millimeters	
	Min	Max
A	1.47	2.0
C	0.7	0.9
U	0.5	0.7
D	0.5	0.6
E	0.5	0.6
E1	0.5	0.6

/ Marking Instructions

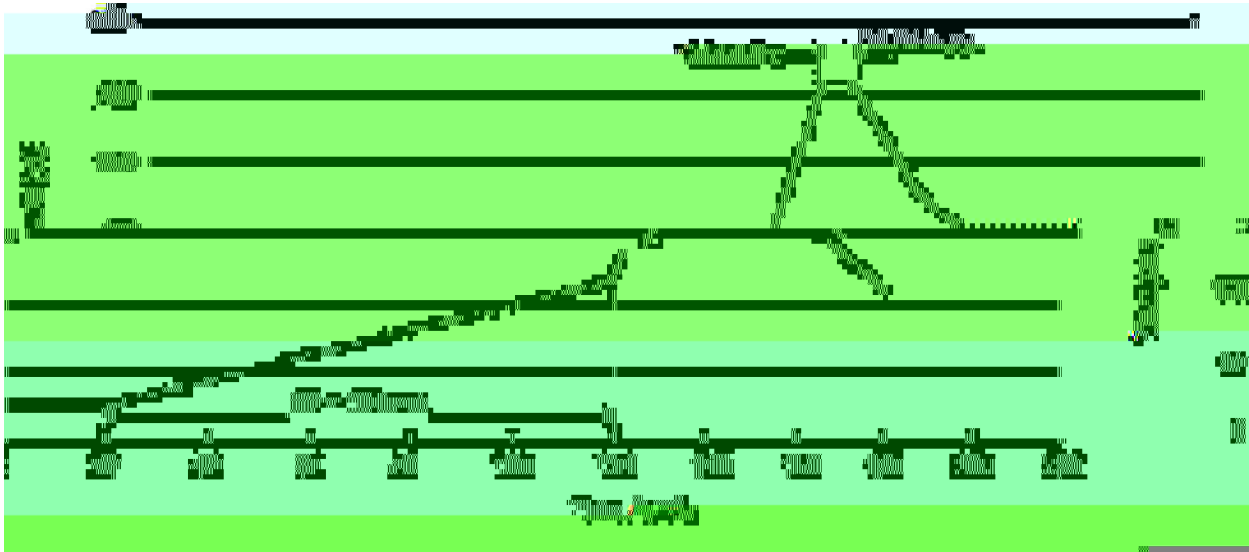


BR:

A1020

O: h_{FE}

() / Temperature Profile for Dip Soldering(Pb-Free)



±

±