

/ Descriptions

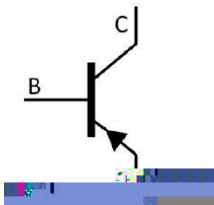
TO-92 PNP Silicon PNP transistor in a TO-92 Plastic Package.

/ Features

Complementary pair with 2SC4115.
Low $V_{CE(sat)}$, Excellent current gain characteristics; complementary pair with 2SC4115.

/ Applications

Low Frequency Amplifier.



PIN1 Base PIN 2 Collector PIN 3 Emitter

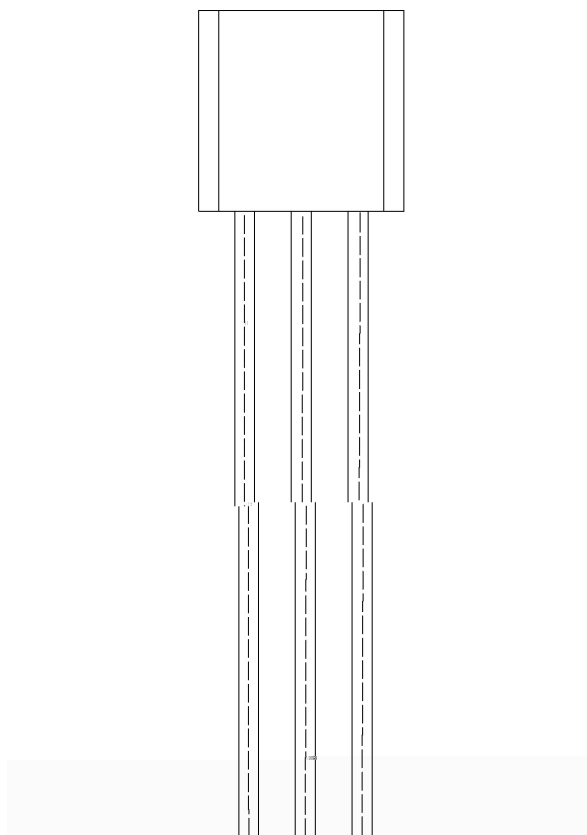
/ hFE Classifications & Marking

Parameter	Symbol	Rating	Unit Rating
-----------	--------	--------	-------------

2SA1585
Rev.E Mar.-2016

2SA1585
Rev.E Mar.-2016

/ Marking Instructions



() / Temperature Profile for Dip Soldering(Pb-Free)



Note:

- | | | | | | |
|---|-------|-----|-----------|--------|--|
| 1 | 25 | 150 | 60 | 90sec; | 1.Preheating:25~150 , Time:60~90sec. |
| 2 | 255±5 | | 5±0.5sec; | | 2.Peak Temp.:255±5 , Duration:5± 0.5sec. |
| 3 | | 2 | 10 | /sec. | 3. Cooling Speed: 2~10 /sec. |

/ Resistance to Soldering Heat Test Conditions

270±5 10± 1 sec. Temp:270±5 Time:10±1 sec

/ Packaging SPEC.

/ BULK

Package Type	Units					Dimension (unit mm3)		
	Units/Bag /	Bags/Inner Box /	Units/Inner Box /	Inner Boxes/Outer Box /	Units/Outer Box /	Bag	Inner Box	Outer Box
TO-92	1,000	10	10,000	5	50,000	135×190	237×172×102	560×245×195
	1,000	10	10,000	10	100,000	135×190	237×172×102	560×245×375

/ AMMO

Package Type	Units					Dimension (unit mm3)	
	Units/tape /	Tape/Inner Box /	Rows/Inner Box /	Inner Boxes/Outer Box /	Units/Outer Box /	Inner Box	Outer Box
TO-92	3,000	1	120	10	30,000	328×230×42	480×346×235 547×407×268

/ Notices