

2SC1959
Rev.E Mar.-2016

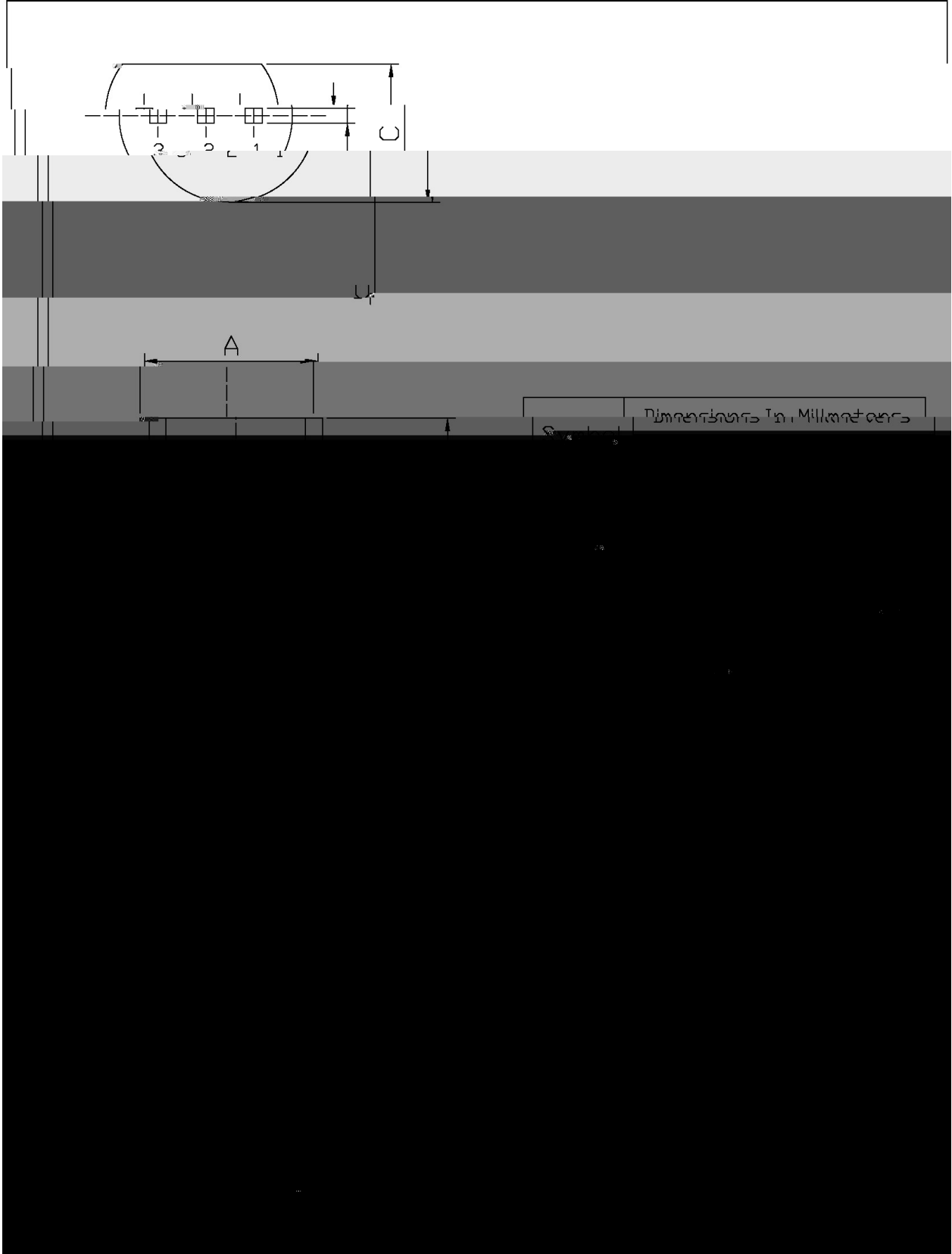
Parameter	Symbol	Rating	Unit
Collector to Base Voltage	V_{CBO}	35	V
Collector to Emitter Voltage	V_{CEO}	30	V
Emitter to Base Voltage	V_{EBO}	5.0	V
Collector Current - Continuous	I_C	500	mA
Emitter Current - Continuous	I_E	-500	mA
Collector Power Dissipation	P_C	500	mW

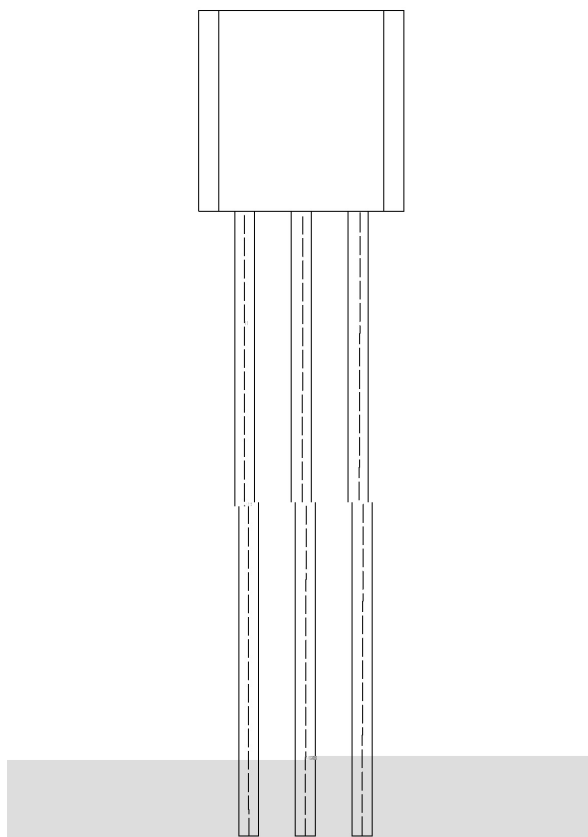
2SC1959

/ Package Dimensions

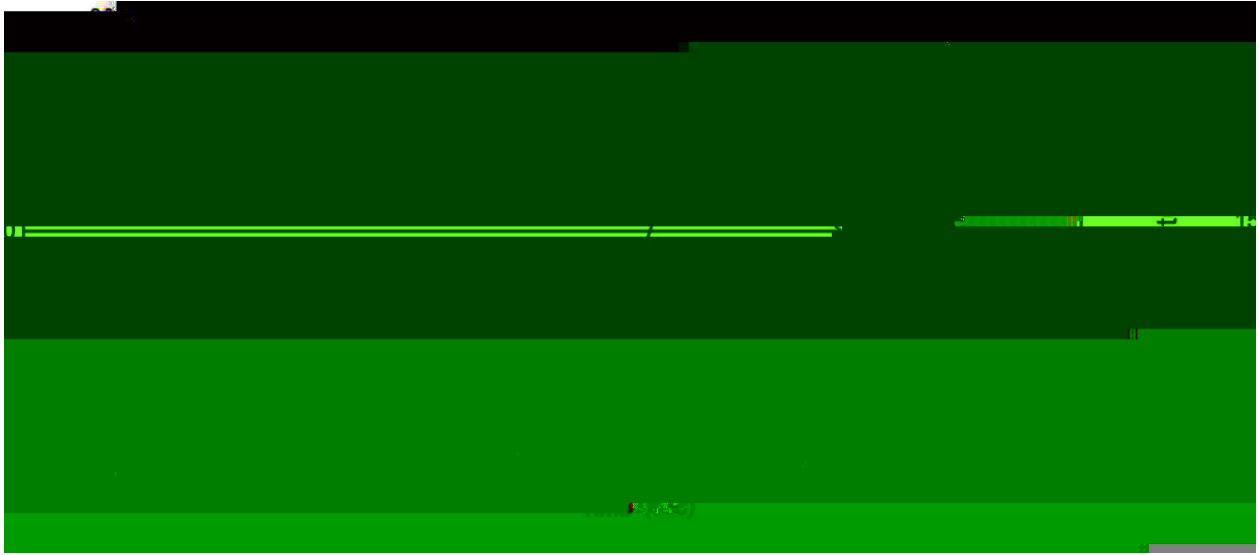
TO-92

Unit: mm





() / Temperature Profile for Dip Soldering(Pb-Free)



- | | | | | | | |
|---|-----|-----|----|----------|-------|---|
| 1 | 25 | 150 | 60 | 90sec; | Note: | 1.Preheating:25~150 , Time:60~90sec. |
| 2 | 255 | 5 | 5 | 0.5sec; | | 2.Peak Temp.:255 5 , Duration:5 0.5sec. |
| 3 | | | 2 | 10 /sec. | | 3. Cooling Speed: 2~10 /sec. |

/ Resistance to Soldering Heat Test Conditions

270 5 10 1 sec. Temp:270±5 Time:10±1 sec

/ Packaging SPEC.

/ BULK

dBWB(37#)