

/ Descriptions

TO-92LM NPN Silicon NPN transistor in a TO-92LM Plastic Package.

/ Features

High voltage, small collector output capacitance.

/ Applications

High voltage switching and amplifier, color TV horiz driver, chroma output applications..

/ Equivalent Circuit



/ Pinning



PIN1 Base PIN 2 Collector PIN 3 Emitter

/ h_{FE} Classifications & Marking

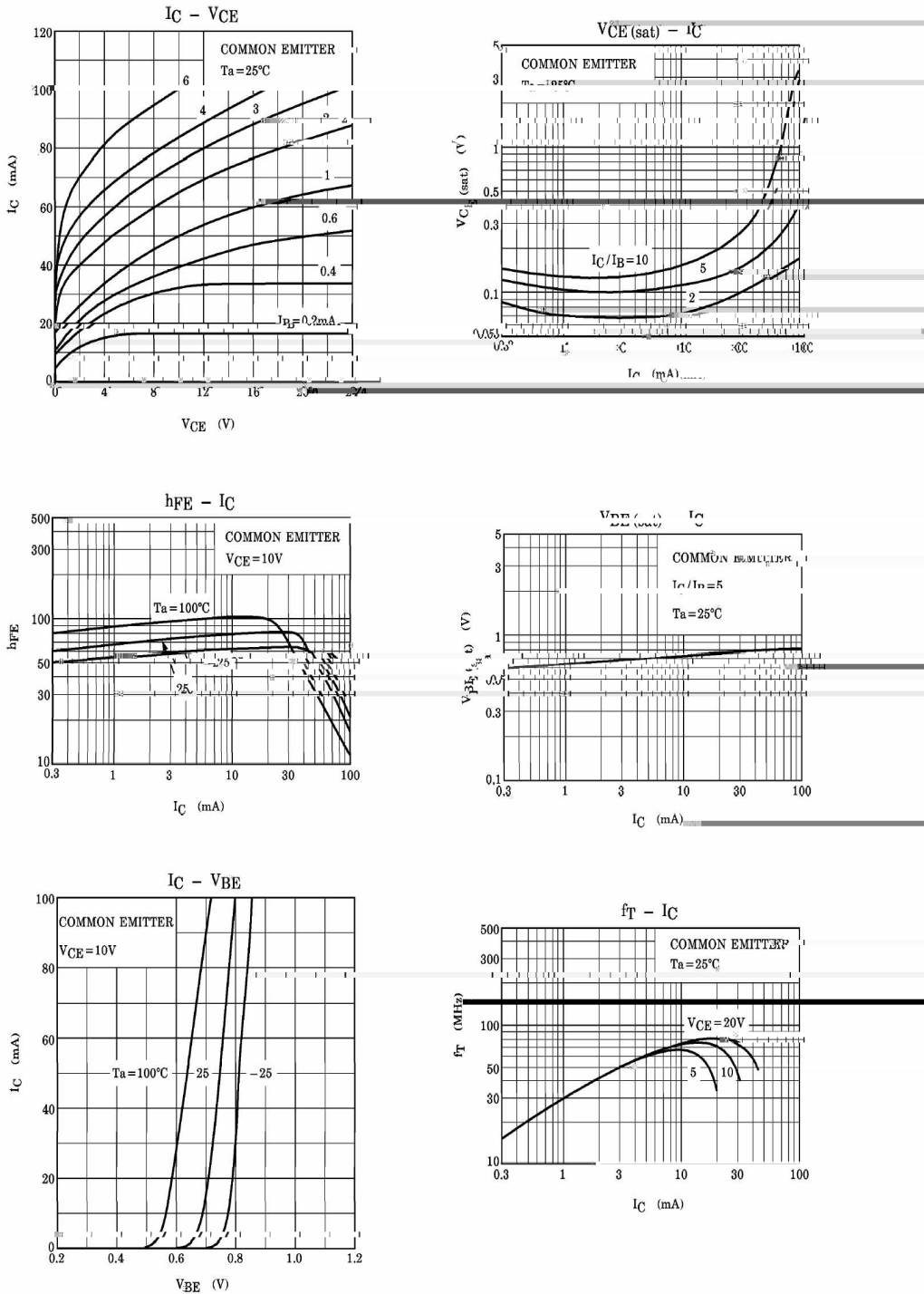
See Marking Instructions.

| Parameter | Symbol | Rating | Unit |
|------------------------------|-----------|---------|------|
| Collector to Base Voltage | V_{CBO} | 300 | V |
| Collector to Emitter Voltage | V_{CEO} | 300 | V |
| Emitter to Base Voltage | V_{EBO} | 7.0 | V |
| Collector Current (DC) | I_C | 100 | mA |
| Base Current | I_B | 50 | mA |
| Collector Power Dissipation | P_C | 900 | mW |
| Junction Temperature | T_j | 150 | |
| Storage Temperature Range | T_{stg} | -55 150 | |

| Parameter | Symbol | Test Conditions | Min | Typ | Max | Unit |
|---------------------------|-----------|-----------------------|-----|-----|-----|---------|
| Collector Cut-Off Current | I_{CBO} | $V_{CB}=240V$ $I_E=0$ | | | 1.0 | μA |

Emitter

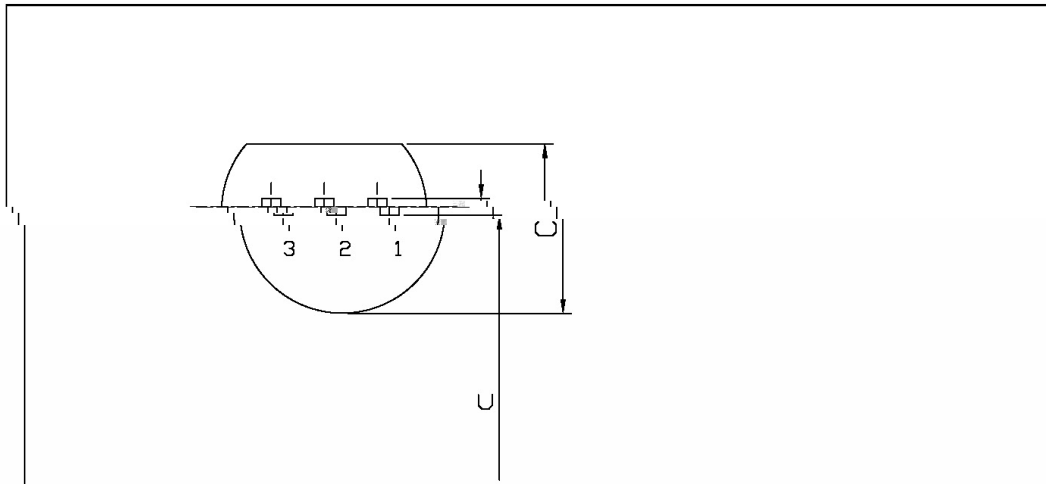
/ Electrical Characteristic Curve



/ Package Dimensions

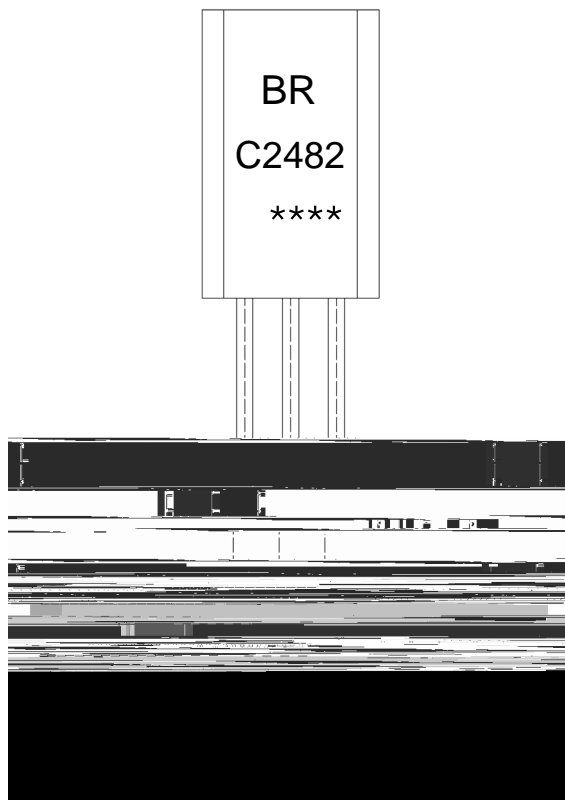
TO-92LM

Unit: mm



| Symbol | Dimensions In Millimeters | |
|--------|---------------------------|-----|
| | Min | Max |
| A | 1.47 | 2.0 |
| B | 0.4 | 0.5 |
| C | 0.8 | 1.0 |
| D | 0.1 | 0.2 |
| E | 0.1 | 0.2 |
| F | 0.1 | 0.2 |
| G | 0.1 | 0.2 |
| H | 0.1 | 0.2 |
| I | 0.1 | 0.2 |
| J | 0.1 | 0.2 |
| K | 0.1 | 0.2 |
| L | 0.1 | 0.2 |
| M | 0.1 | 0.2 |
| N | 0.1 | 0.2 |
| O | 0.1 | 0.2 |
| P | 0.1 | 0.2 |
| Q | 0.1 | 0.2 |
| R | 0.1 | 0.2 |
| S | 0.1 | 0.2 |
| T | 0.1 | 0.2 |
| U | 0.1 | 0.2 |
| V | 0.1 | 0.2 |
| W | 0.1 | 0.2 |
| X | 0.1 | 0.2 |
| Y | 0.1 | 0.2 |
| Z | 0.1 | 0.2 |

/ Marking Instructions



BR:

C2482

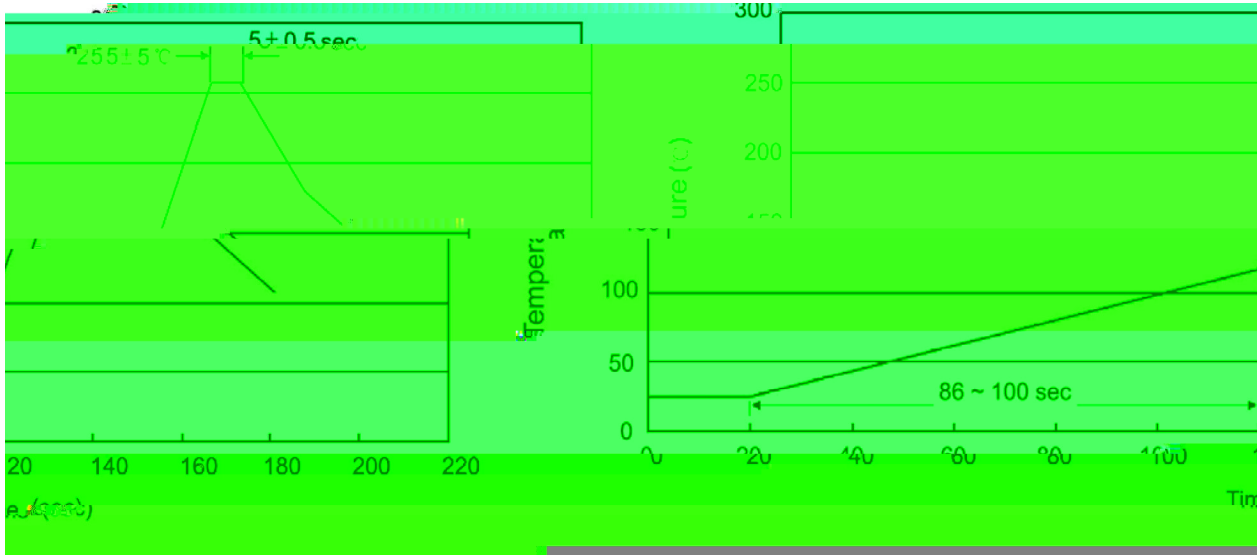
Note:

BR: Company Code.

C2482: Product Type.

****: Lot No. Code,code change with Lot No.

() / Temperature Profile for Dip Soldering(Pb-Free)



- 1 25 150 60 90sec;
- 2 255±5 5±0.5sec;
- 3 2 10 /sec.

Note:

- 1.Preheating:25~150 , Time:60~90sec.
- 2.Peak Temp.:255±5 , Duration:5±0.5sec.
- 3. Cooling Speed: 2~10 /sec.

/ Resistance to Soldering Heat Test Conditions

270±5 10±1 sec. Temp.:270±5 Time:10±1 sec

/ Packaging SPEC.

/ BULK

/sec.