



---

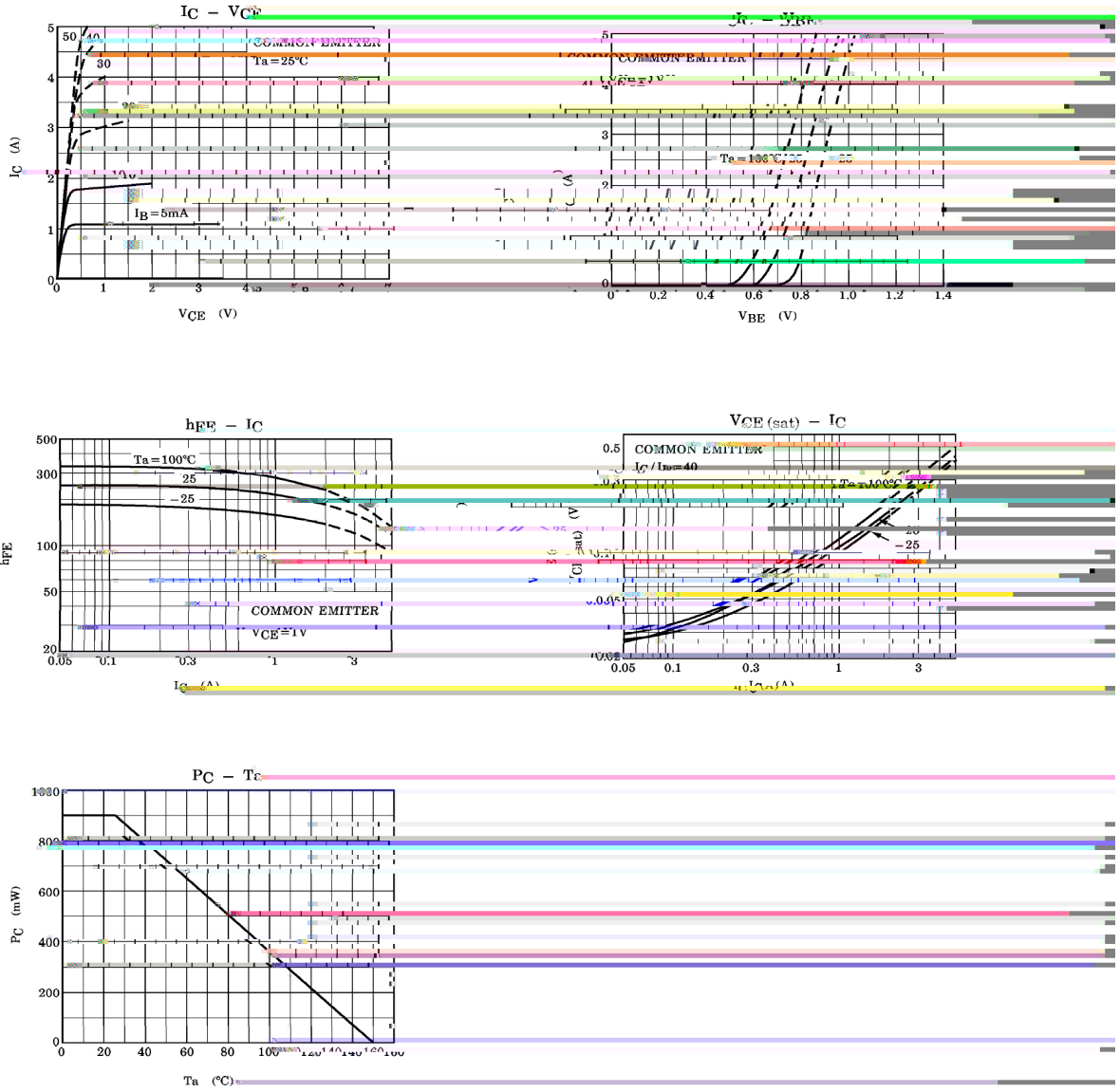
Parameter

Symbol

Rating

Unit

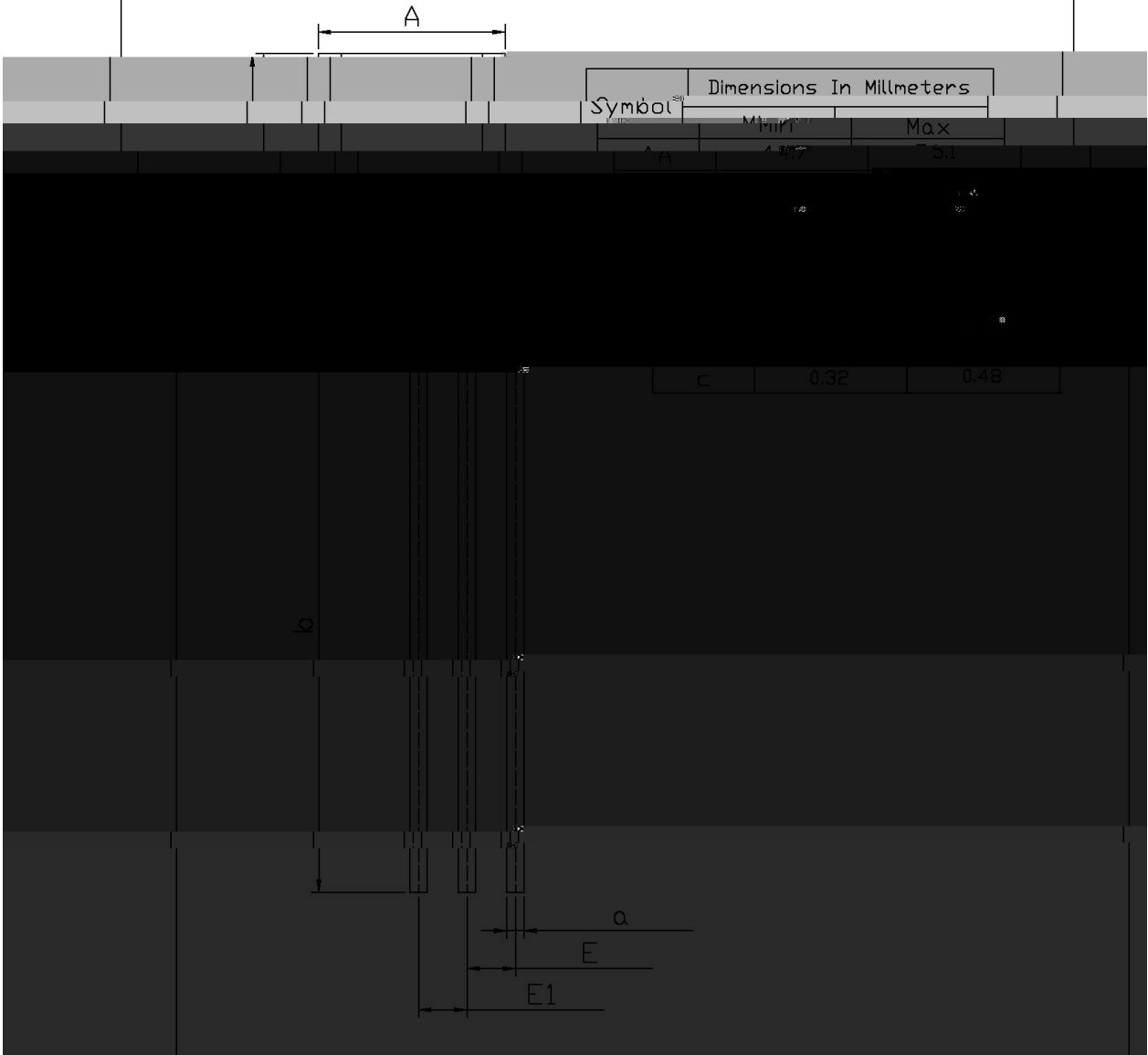
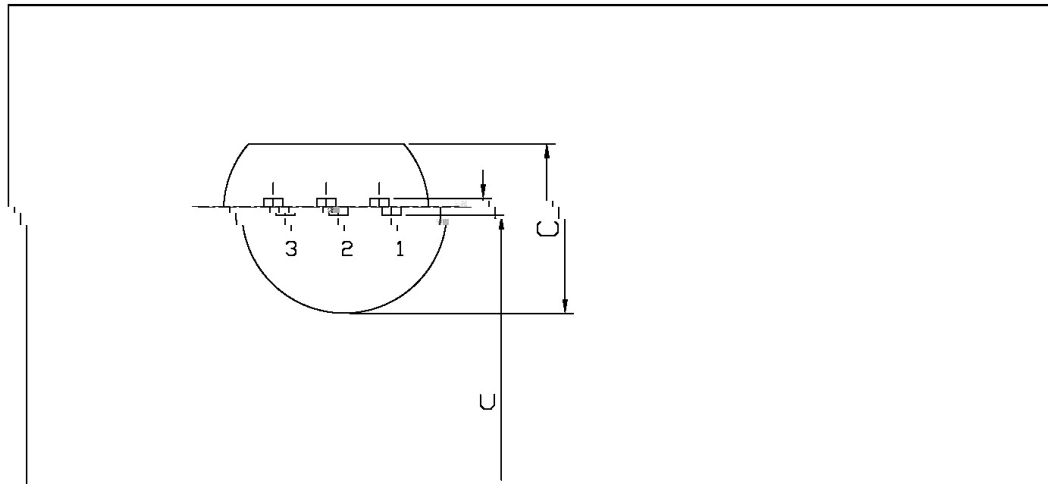
**/ Electrical Characteristic Curve**

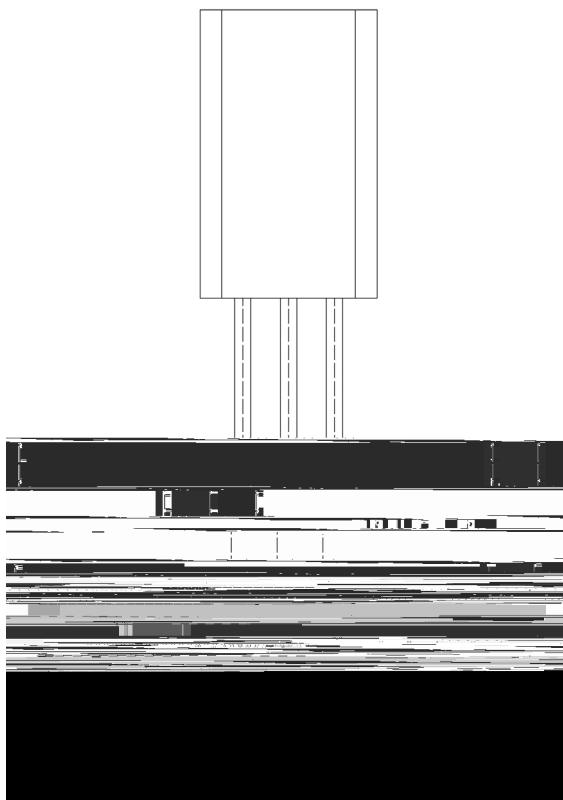


**/ Package Dimensions**

TO-92LM

Unit: mm





( ) / Temperature Profile for Dip Soldering(Pb-Free)



1	25	150	60	90sec;	Note:	1.Preheating:25~150 , Time:60~90sec.
2	255±5		5±0.5sec;		2.Peak Temp.:255±5 , Duration:5±0.5sec.	
3		2	10	/sec.	3. Cooling Speed: 2~10 /sec.	

/ Resistance to Soldering Heat Test Conditions

270±5                      10±1 sec.                      Temp.:270±5                      Time:10±1 sec

/ Packaging SPEC.

/ BULK