

/ Descriptions

TO-92 NPN Silicon NPN transistor in a TO-92 Plastic Package.

/ Features

Low noise and high power gain.

/ Applications

low noise amplifier at VHF, UHF and CATV band applications.

/ Equivalent Circuit



/ Pinning

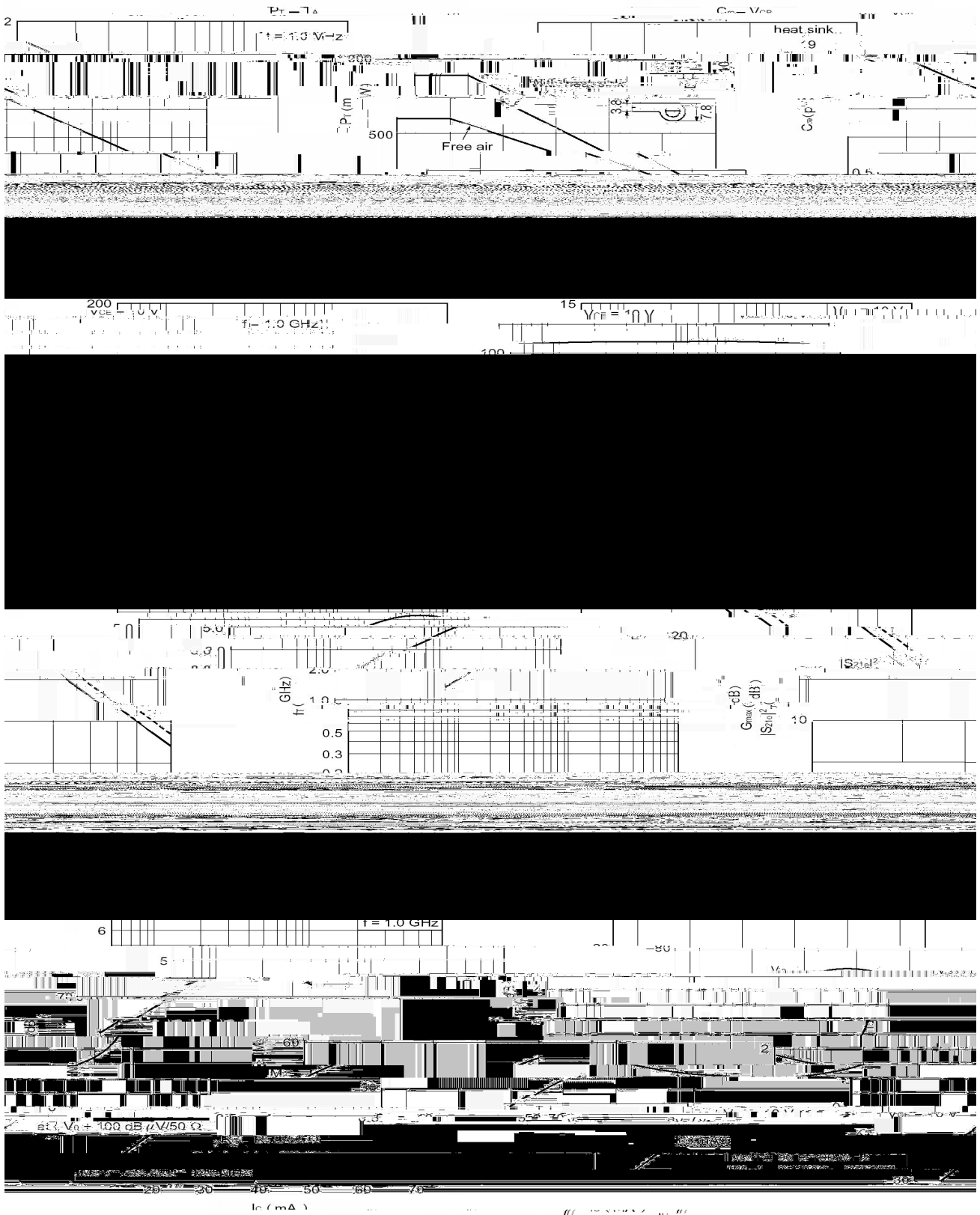


PIN1 Base PIN 2 Collector PIN 3 Emitter

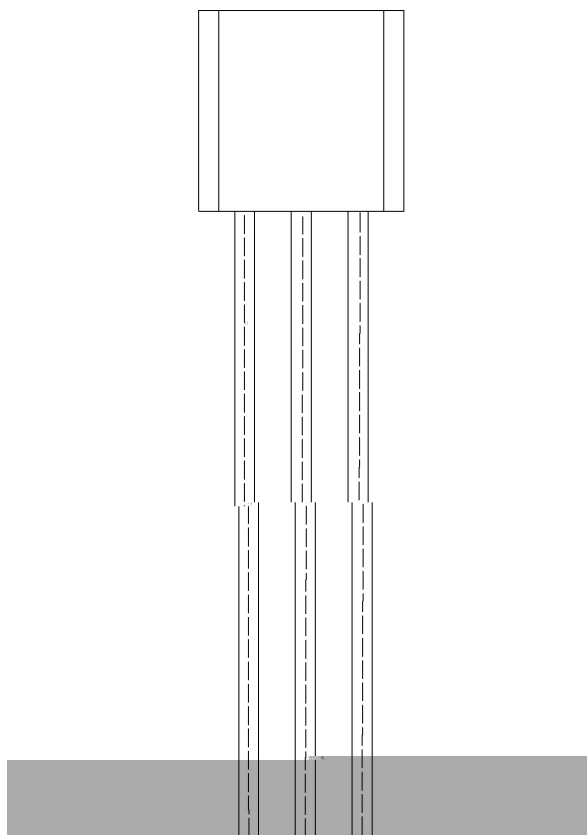
/ hFE Classifications & Marking

See Marking Instructions.

/ Electrical Characteristic Curve



/ Marking Instructions



() / Temperature Profile for Dip Soldering(Pb-Free)



- | | | | | | | |
|---|-------|-----|-----------|--------|---|--------------------------------------|
| 1 | 25 | 150 | 60 | 90sec; | Note: | 1.Preheating:25~150 , Time:60~90sec. |
| 2 | 255±5 | | 5±0.5sec; | | 2.Peak Temp.:255±5 , Duration:5±0.5sec. | |
| 3 | | 2 | 10 | /sec. | 3. Cooling Speed: 2~10 /sec. | |

/ Resistance to Soldering Heat Test Conditions

270±5 10±1 sec. Temp:270±5 Time:10±1 sec

/ Packaging SPEC.

/ BULK

Package Type	Units	Dimension	(unit mm3)
--------------	-------	-----------	------------