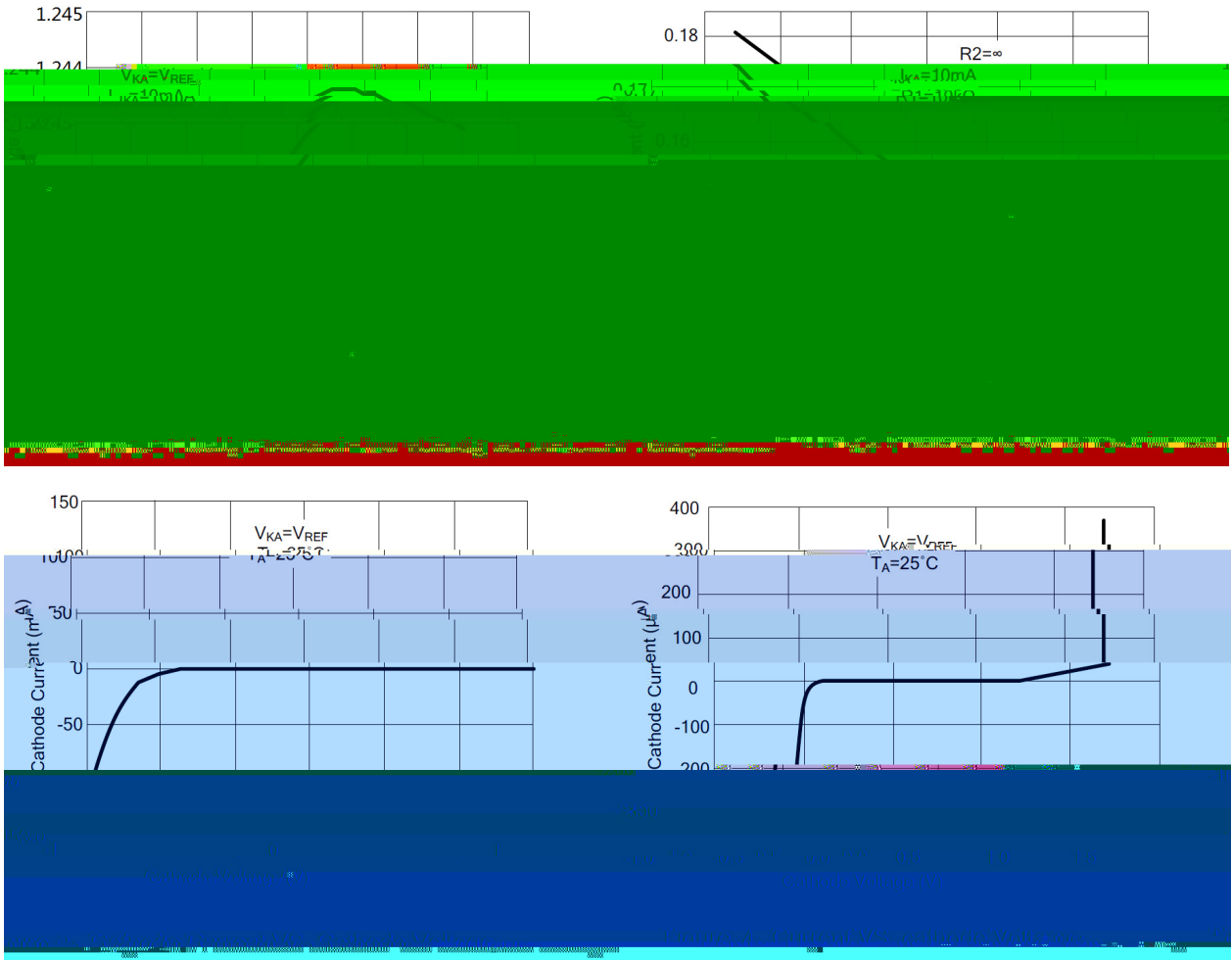


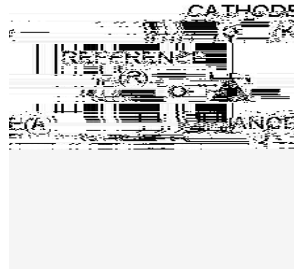
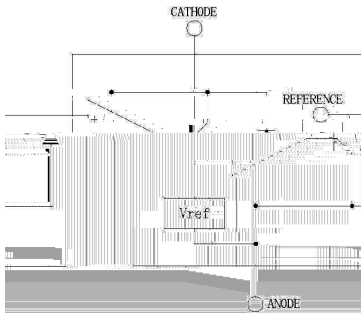
Parameter	Symbol	Rating	Unit
Cathode voltage	V_{KA}	20	V
Continuous cathode current range	I_K	-100 +100	mA
Reference current range	I_{REF}	10	mA
Power Dissipation	P_D	370	mW

/ Electrical Characteristic Curve

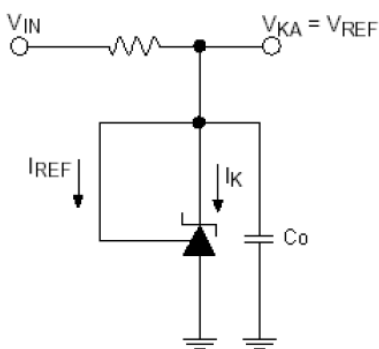


& Test circuits&Typical Application

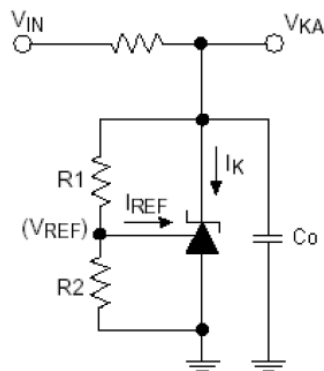
BLOCK DIAGRAM:



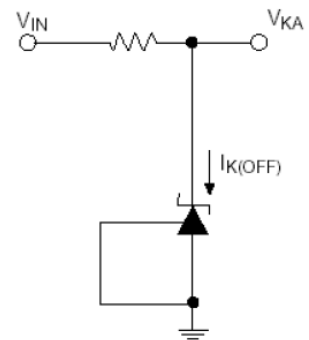
TEST CIRCUITS:



Test Circuit For $V_{KA}=V_{REF}$
 $C_o=0.1\mu F$

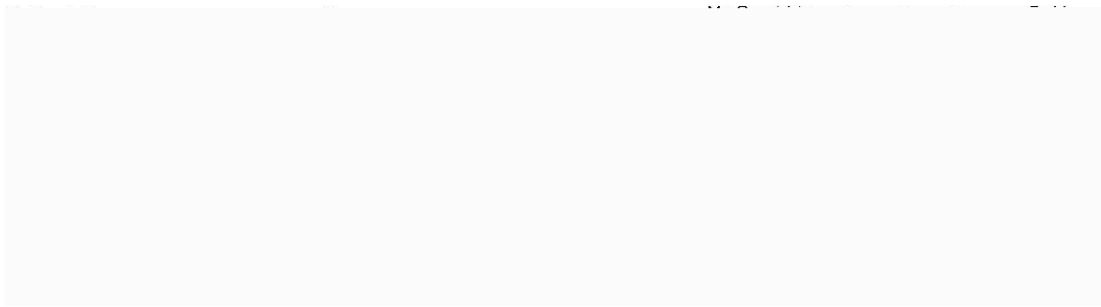


Test Circuit for $V_{KA} = V_{REF}$
 $C_o=0.1\mu F$



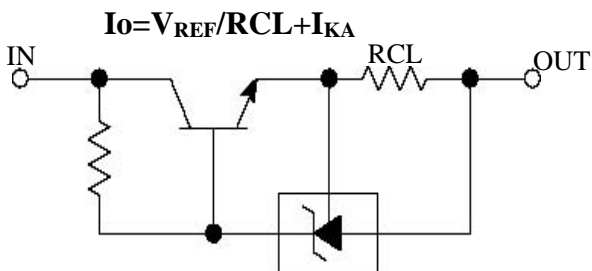
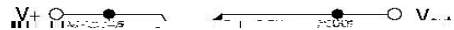
Test Circuit For $I_{K(OFF)}$

TYPICAL APPLICATIONS:



Shutdown Regulator

Higher-current Shunt



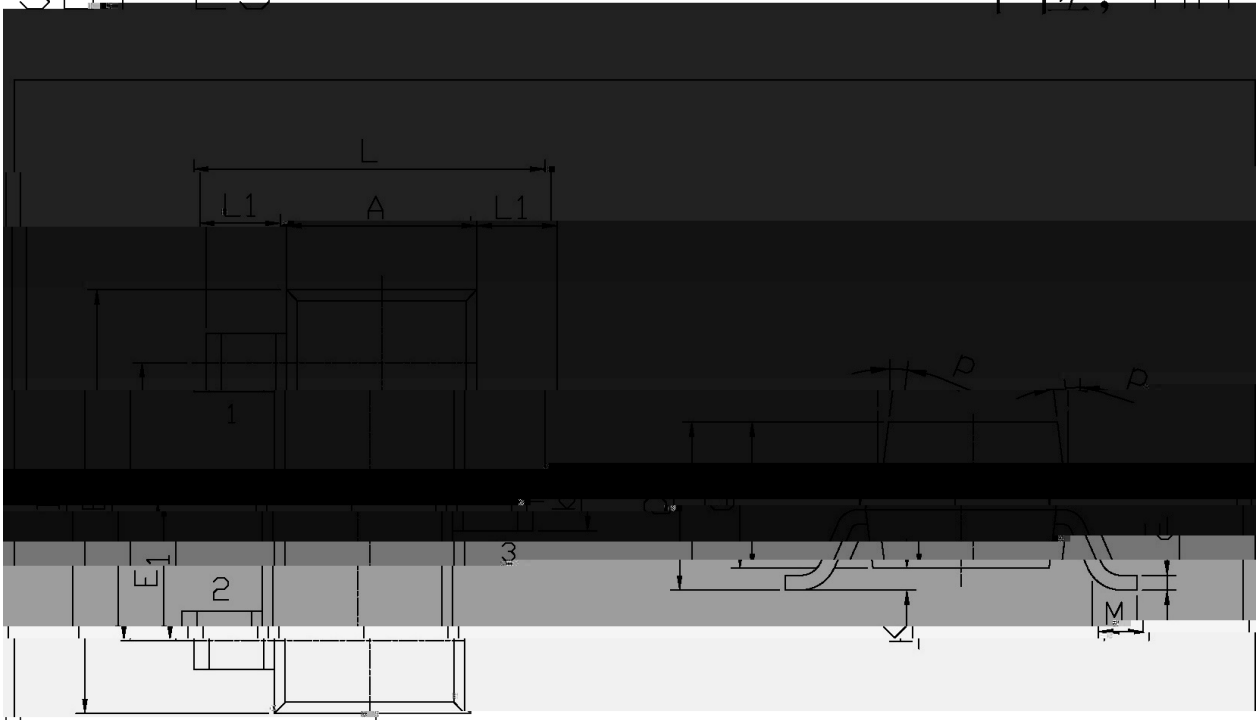
Constant Current Source

Series Pass Regulator

/ Package Dimensions

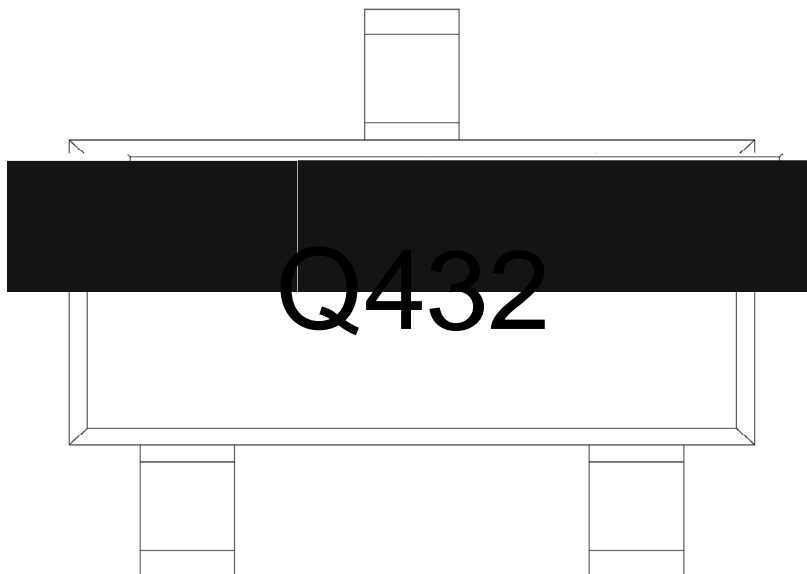
SOT-23

单位: mm



Dimensions in Millimeters			Dimensions in Millimeters		
Symbol	Min.	Max.	Symbol	Min.	Max.
L	2.2	2.7	C	1.30	Max
L1	0.45	0.65	C1	0.90	1.20

/ Marking Instructions



Q

432

Note:

Q: Automobile halogen-free product Code

432: Product Type

() / Temperature Profile for IR Reflow Soldering(Pb-Free)

Note:

- | | | | | | |
|---|-------|-----|-----------|---------|---|
| 1 | 150 | 200 | 60 | 120sec; | 1.Preheating:150~200 , Time:60~120sec. |
| 2 | 255±5 | | 5±0.5sec; | | 2.Peak Temp.:255±5 , Duration:5±0.5sec. |
| 3 | | 2 | 10 | /sec. | 3. Cooling Speed: 2~10 /sec. |

/ Resistance to Soldering Heat Test Conditions

260±5 10±1 sec. Temp.:260±5 Time:10±1 sec

/ Packaging SPEC.

/ REEL

Package Type	Units					Dimension (unit mm ³)		
	Units/Reel	Reels/Inner Box	Units/Inner Box	Inner Boxes/Outer Box	Units/Outer Box	Reel	Inner Box	Outer Box
SOT-23	3,000	10	30,000	6	180,000	7 x8	180x120x180	390x385x205

/ Notices