

LM1117-3.3

SOT23-3

Low dropout linear regulator in a SOT23-3 Plastic Package .

LM1117-3.3

30V

2.5 μ A

$\pm 2\%$

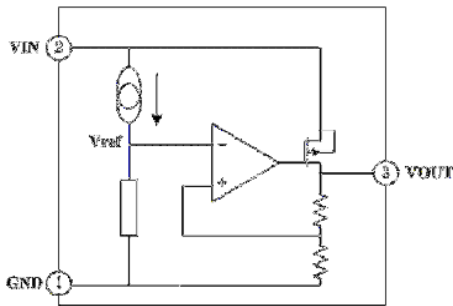
Low power consumption,Low voltage drop,Small temperature drift coefficient,High input voltage up to 30V,The static current 2.5 μ A,The output voltage accuracy: $\pm 2\%$.HF Product.

/

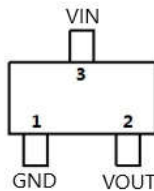
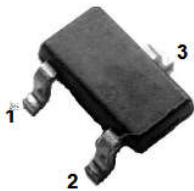
LM1117-3.3

For use in power equipment,Communication equipment,Audio and video equipment.

LM1117-3.3



LM1117-3.3



1	GND		3	VIN	
2	VOUT				

LM1117-3.3

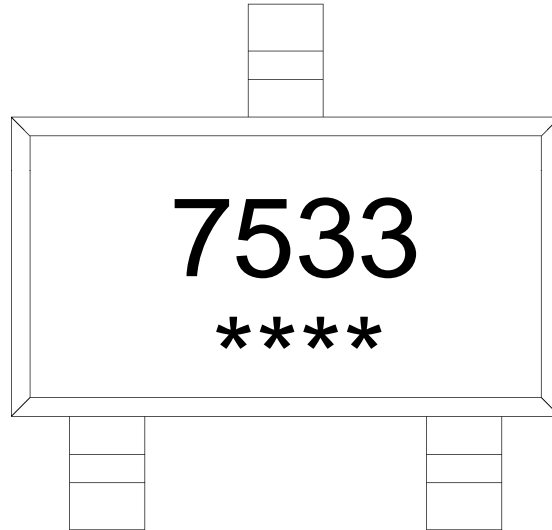
/ See Marking Instructions.

Rev.B Apr.-2021



// #

//##/ 1 -).&/0C/'2)4*2&+/'/'



7533

Note:

7533: Product Type.

****: Lot No. Code, code change with Lot No.

