

BRC07533T

Rev.F Apr.-2021

SOT-89

Low dropout linear regulator in a SOT-89 Plastic Package .

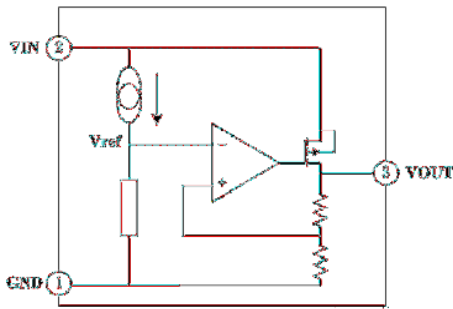
30V

2.5 μ A

$\pm 2\%$

Low power consumption,Low voltage drop,Small temperature drift coefficient,High input voltage up to 30V,The static current 2.5 μ A,The output voltage accuracy: $\pm 2\%$.HF Product.

For use in power equipment,Communication equipment,Audio and video equipment.



PIN1 GND PIN 2 VIN PIN 3 VOUT

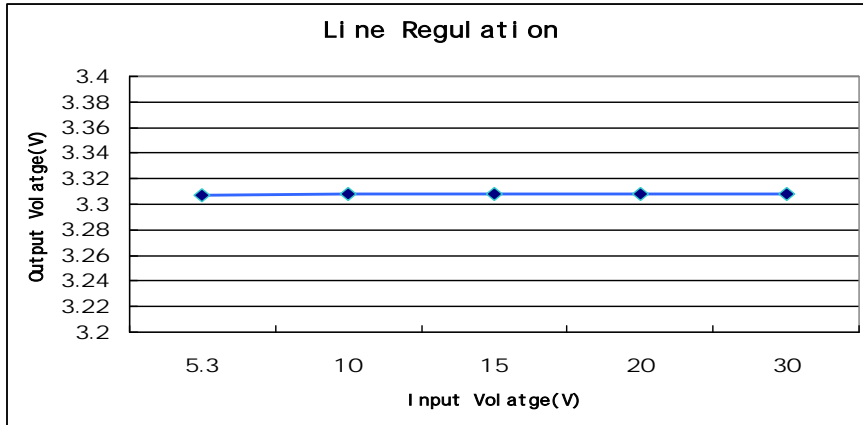
/ Marking

/ See

BRCO7533T

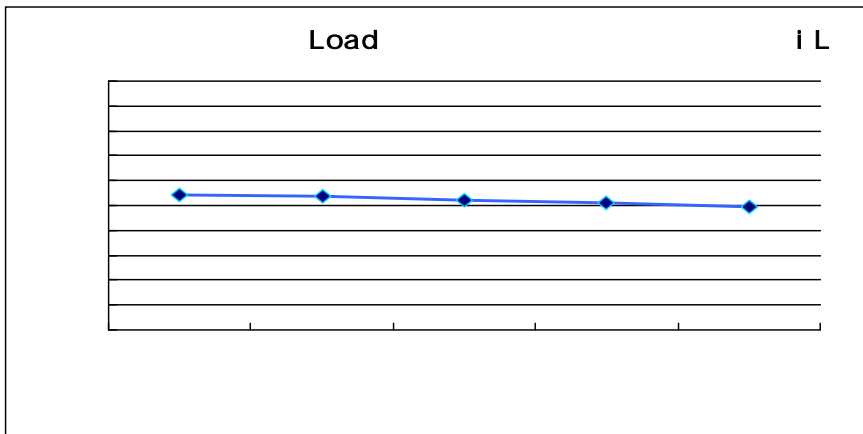
/ Electrical Characteristic Curve

/ The input voltage and output voltage



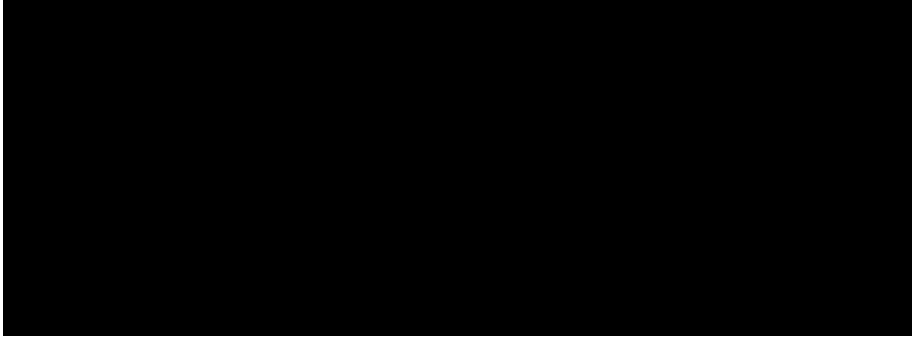
$I_{OUT}=10mA$

/ The output voltage and load current

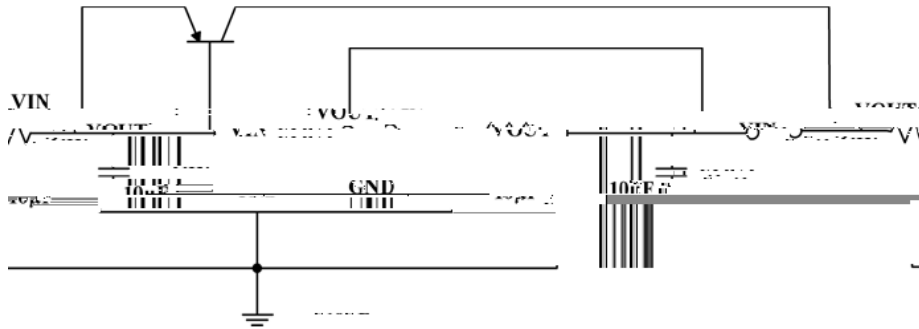


/ Typical Application Circuit

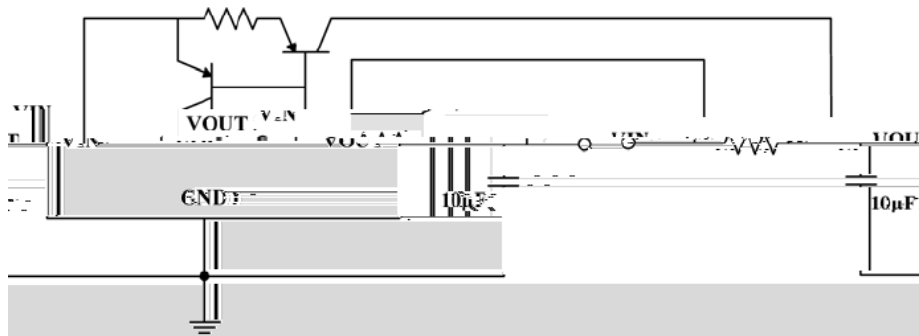
/ Basic Application



/ High Output Current Voltage Regulator

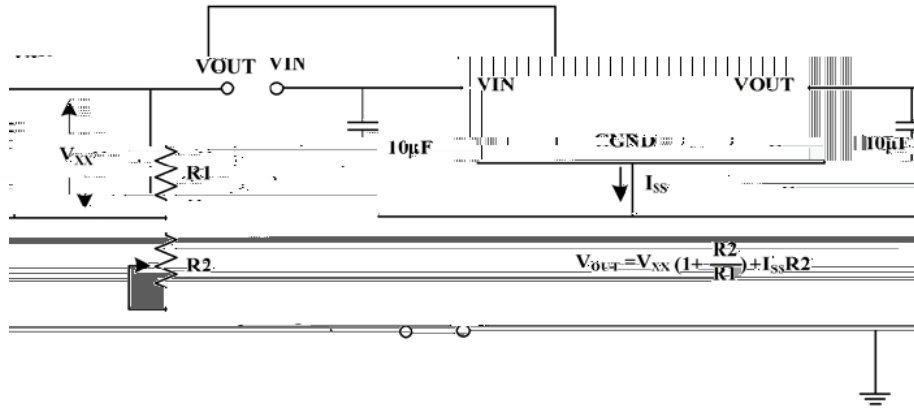


/ Short-Circuit Protection

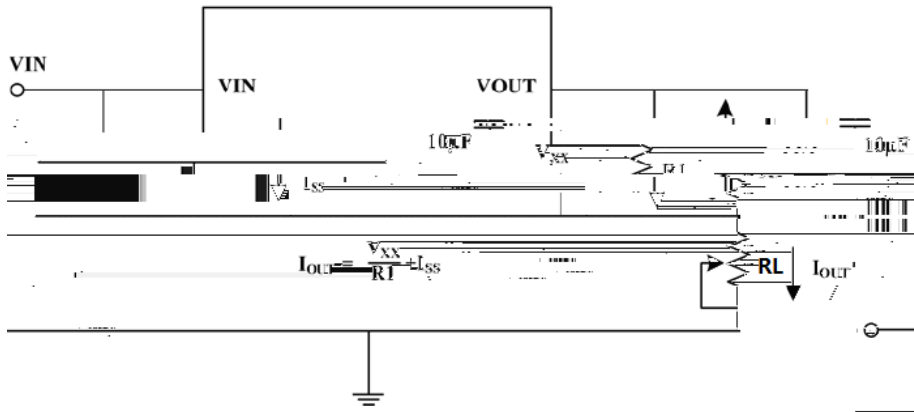


/ Typical Application Circuit

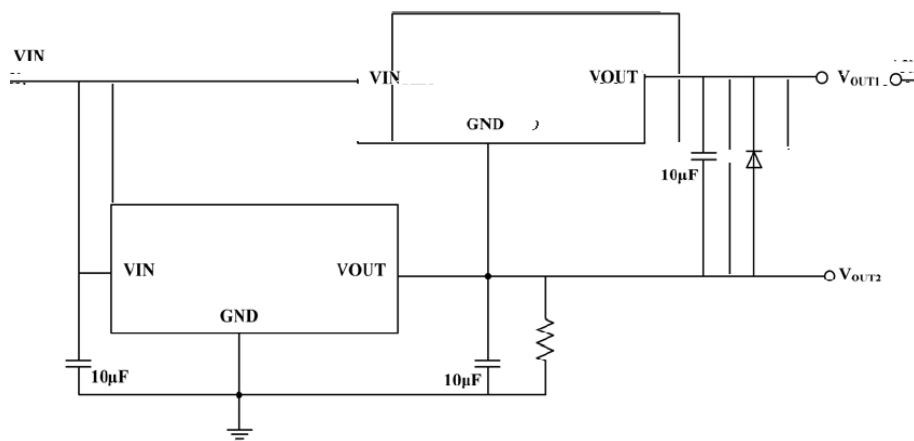
/ Circuit for Increasing Output Voltage



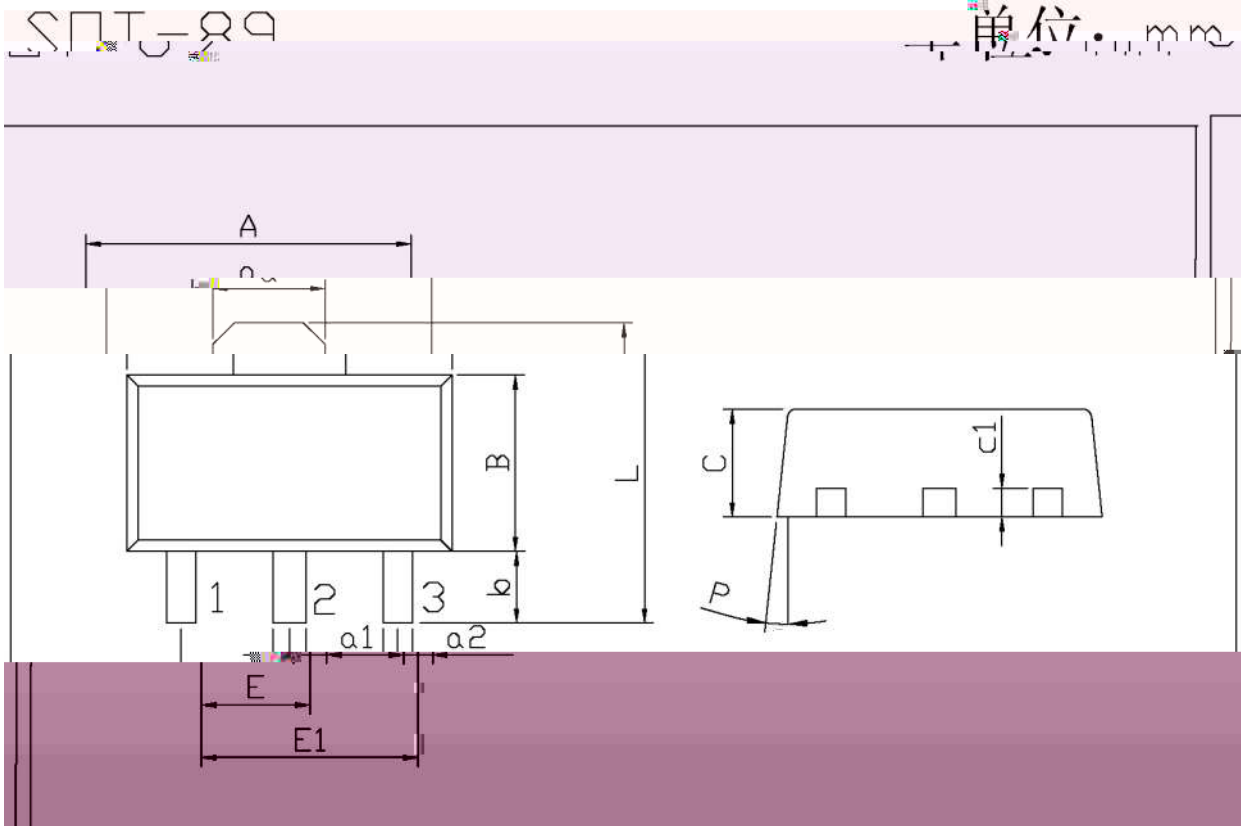
/ Constant Current Regulator



/ Double Output Circuit



/ Package Dimensions

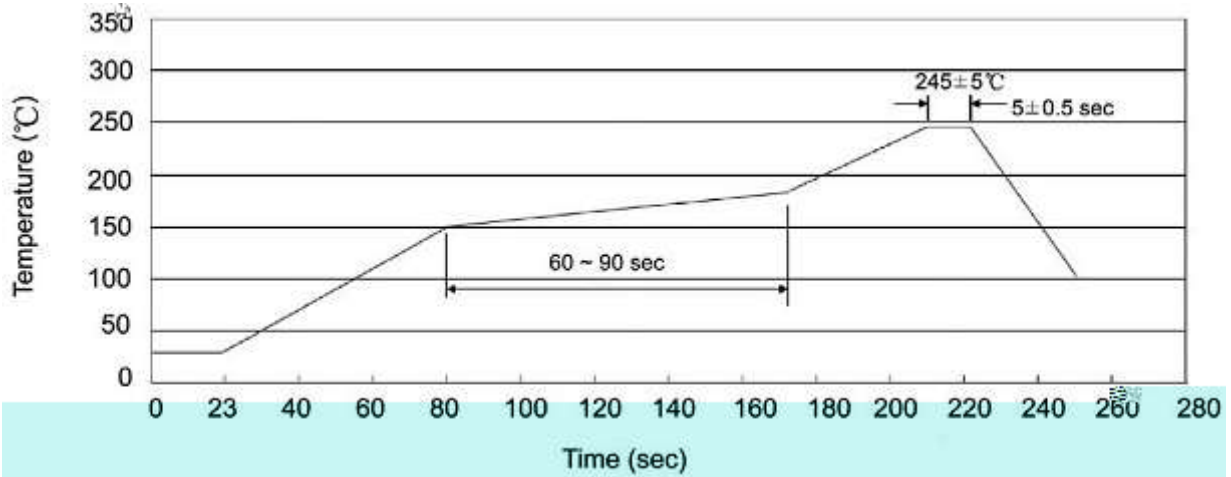


Symbol	Dimensions In Millimeters		Symbol	Dimensions In Millimeters	
	Min	Max		Min	Max
A	4.4	4.7	a1	0.36	0.56

a	1.45	1.55	C1	0.35	0.50
E	1.40	1.60	P	6°	
E1	2.80	3.20			
o	0.80	1.20			

/ Marking Instructions

() / Temperature Profile for IR Reflow Soldering(Pb-Free)



Note:

- | | | | | | |
|---|-------|-----|-------|--------|---|
| 1 | 25 | 150 | 60 | 90sec; | 1.Preheating:25~150 , Time:60~90sec. |
| 2 | 245±5 | | 5±0.5 | sec; | 2.Peak Temp.:245±5 , Duration:5±0.5sec. |
| 3 | | 2 | 10 | /sec. | 3. Cooling Speed: 2~10 /sec. |

/ Resistance to Soldering Heat Test Conditions

260±5 10±1 sec. Temp.:260±5 Time:10±1 sec

/ Packaging SPEC.

/ REEL

Package Type 封装形式	Units 包装数量					Dimension 包装尺寸 (unit: mm)		
	Units/Reel 只/卷盘	Reels/Inner Box 卷盘/盒	Units/Inner Box 只/盒	Inner Boxes/Outer Box 盒/箱	Units/Outer Box 只/箱	Reel	Inner Box 盒	Outer Box 箱
SOT-89	1,000	7	7,000	8	56,000	7" x12	180x120x180	385x257x392

/ Notices