



Low dropout linear regulator in a SOT-89 Plastic Package.

015

±

# **BRCO7550RTA**

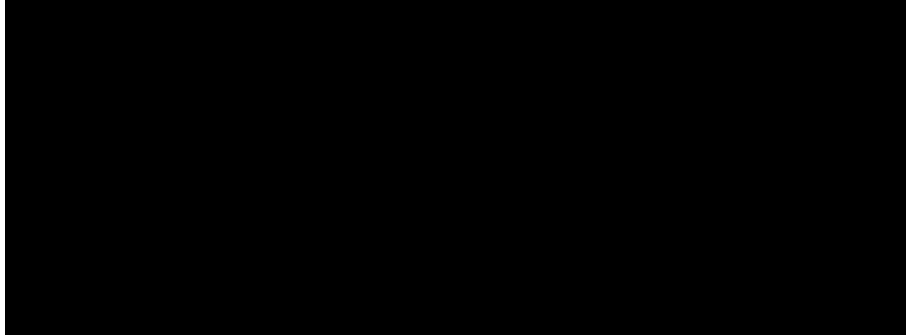
Rev.A May.-2022

**DATA SHEET**



**/ Typical Application Circuit**

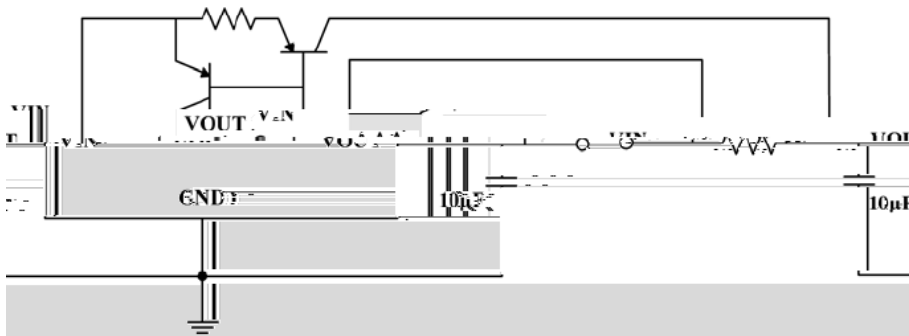
Đ / Basic Application



œ Ñ / High Output Current Voltage Regulator

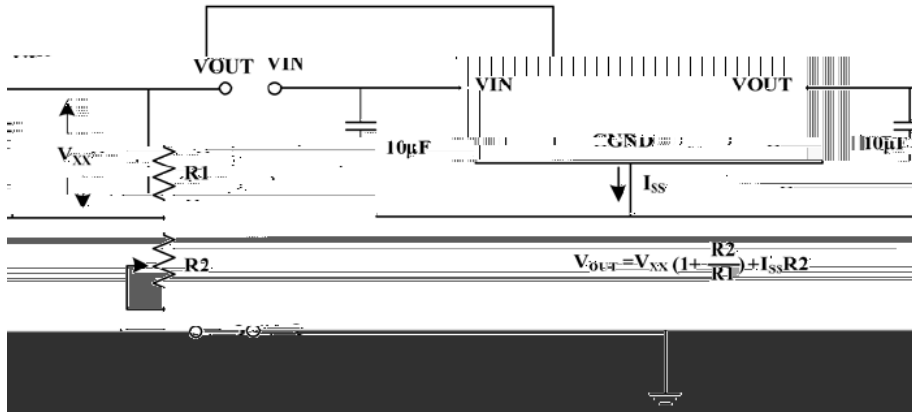


ò ó ô õ Đ / Short-Circuit Protection

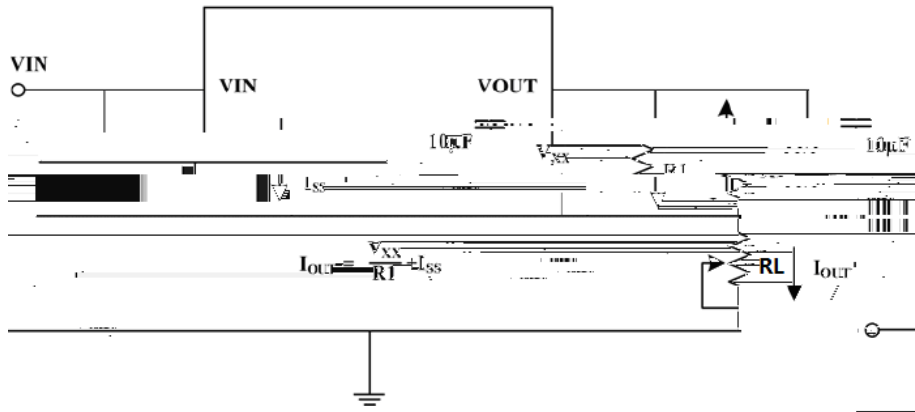


**/ Typical Application Circuit**

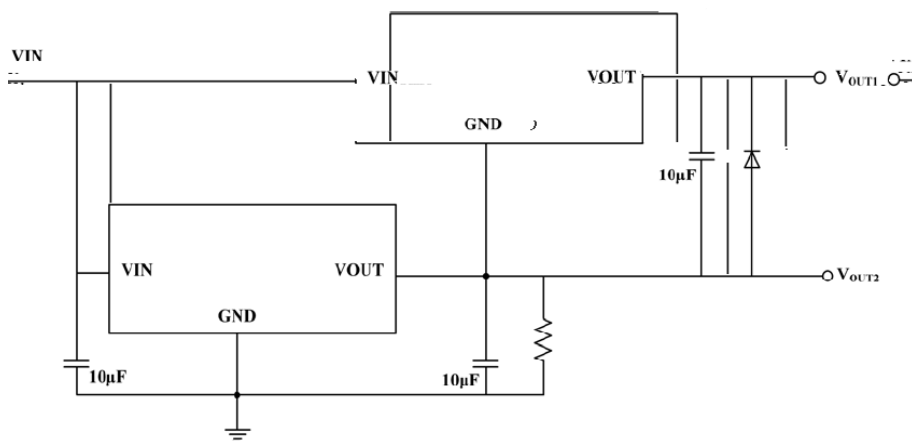
Ó / Circuit for Increasing Output Voltage



Ñ Ó / Constant Current Regulator

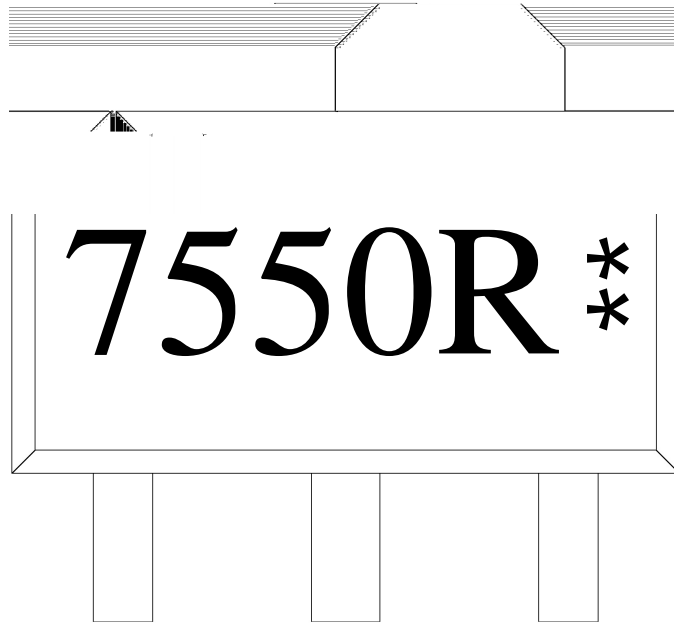


Ö Ó / Double Output Circuit





**/ Marking Instructions**



...†

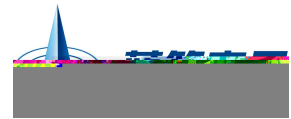
7550R    Ç ^ ×

\*\*        Ø ù ^ ×    Ú Ø    ù ^ Ú Ú

Note:

7550R:    Product Type

\*\* :        Lot No. Code, code change with Lot No



( ) / **Temperature Profile for IR Reflow Soldering(Pb-Free)**


- |   |       |     |           |        |       |  |
|---|-------|-----|-----------|--------|-------|--|
| 1 | 150   | 180 | 60        | 90sec; | Note: | 1.Preheating:150~180°C, Time:60~90sec.   |
| 2 | 245±5 |     | 5±0.5sec; |        |       | 2.Peak Temp.:245±5°C, Duration:5±0.5sec. |
| 3 |       | 2   | 10°C/sec. |        |       | 3. Cooling Speed: 2~10°C/sec.            |

/ **Resistance to Soldering Heat Test Con**