

~	° " ' / fi fl	° " Ł ł / Ž ž	! " ' .	# \$ %
%	& ' () * ((
+	& ' & ' *)	(5 6 7	8 9 :

; & ' & (* < * ()

/ Descriptions

YZ [*\] ^ _ _ ` ` a Mb c d e Mf g`
Low dropout linear regulator in a SOT-89 Plastic Package .

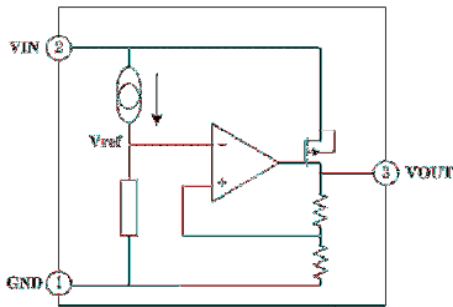
/ Features

a h i = a Mb = j O k l mA 6 = n J o L Mp q Q r = s t L u &) w x = J K L MN O y z &R g
1 2 { | g`
Low power consumption,Low voltage drop,Small temperature drift coefficient,High input voltage up to 30V,The static current 2.5wA,The output voltage accuracy)z &R .HF Product.

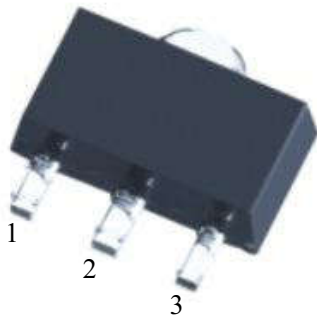
/ Applications

~ € , f L „ ...† = ‡ ^ ...† = %đ < ĆŠ ...† g`
For use in power equipment,Communication equipment,Audio and video equipment.

/ Equivalent Circuit



/ Pinning



PIN1y GND PIN 2y VIN PIN 3y VOUT

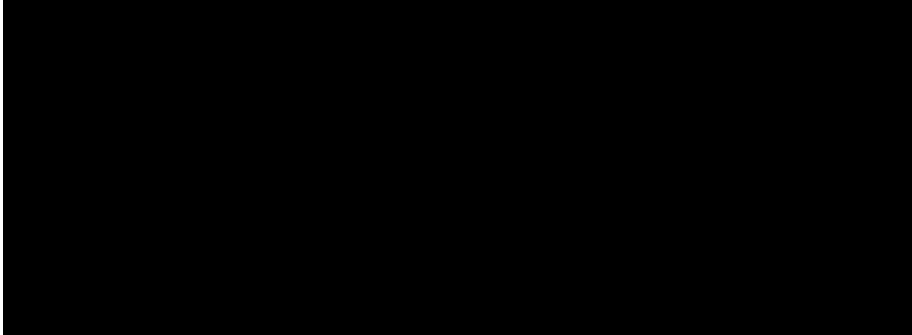
/ Marking

“ ” “ ” • “ ” “ ” See Marking Instructions.

Parameter	Symbol	Rating	Unit
Worki			

/ Typical Application Circuit

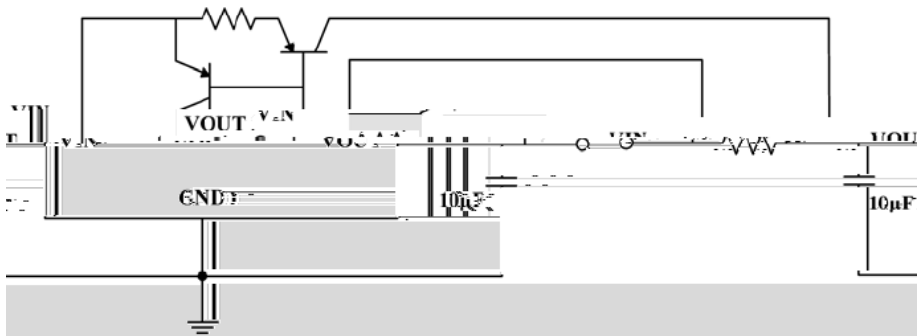
Y ~ P ~ / Basic Application



J K « L u L MS B f / High Output Current Voltage Regulator

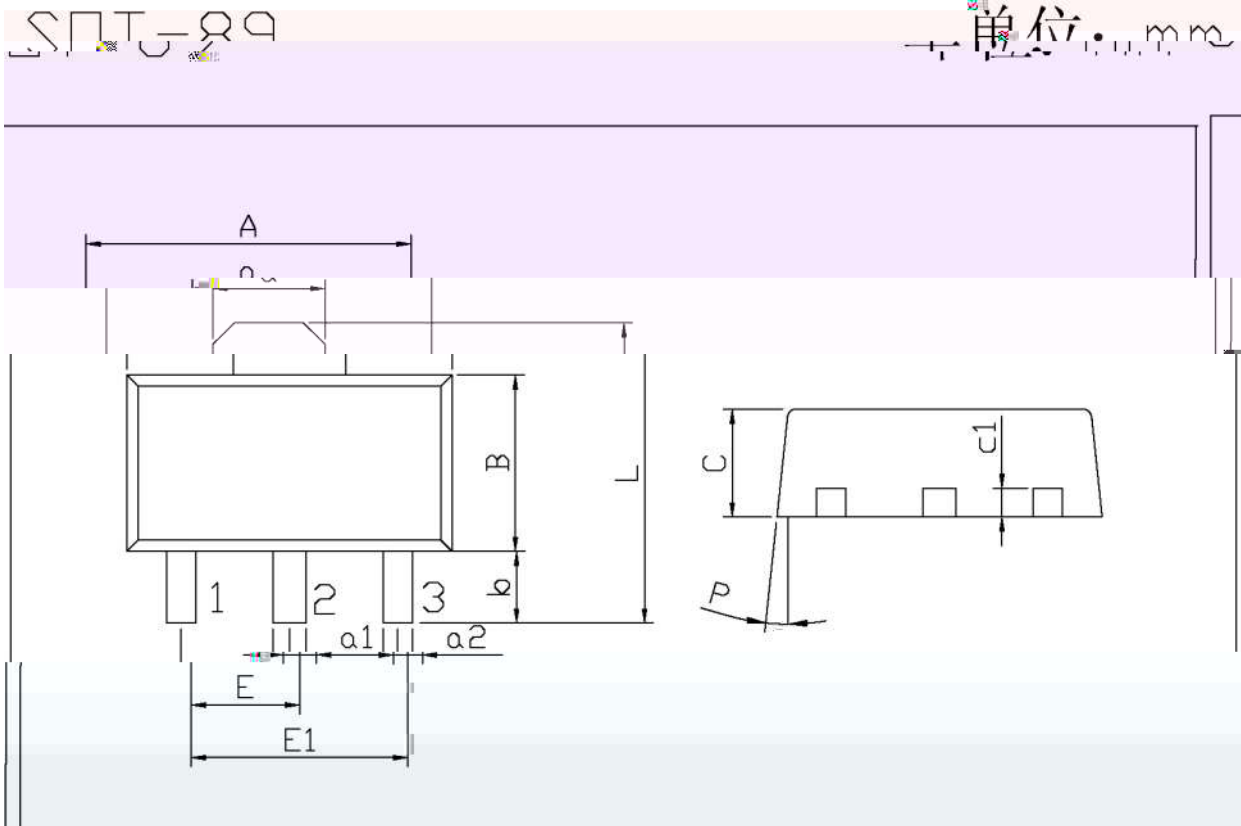


à á â ã P ~ / Short-Circuit Protection



BRCO7550T
Rev.F Apr.-2021

/ Package Dimensions



Symbol	Dimensions In Millimeters		Symbol	Dimensions In Millimeters	
	Min	Max		Min	Max
A	4.4	4.7	a1	0.36	0.56

/ Marking Instructions

" • y

7550y U Ó ~ à fl

ay U ç { è ~ à fl = é ç { è ~ ê ë g

Note:U

BRCO7550T