

Rev.E May.-2016

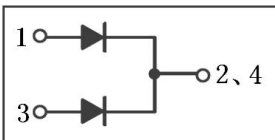
TO-263

Schottky Barrier Diode in a TO-263 Plastic Package.

Low forward voltage drop, low power losses, High efficiency operation.

OR-ing DC-DC

For use in high frequency inverters, switching power supplies, freewheeling diodes, OR-ing diode, dc-to-dc converters and reverse battery protection.

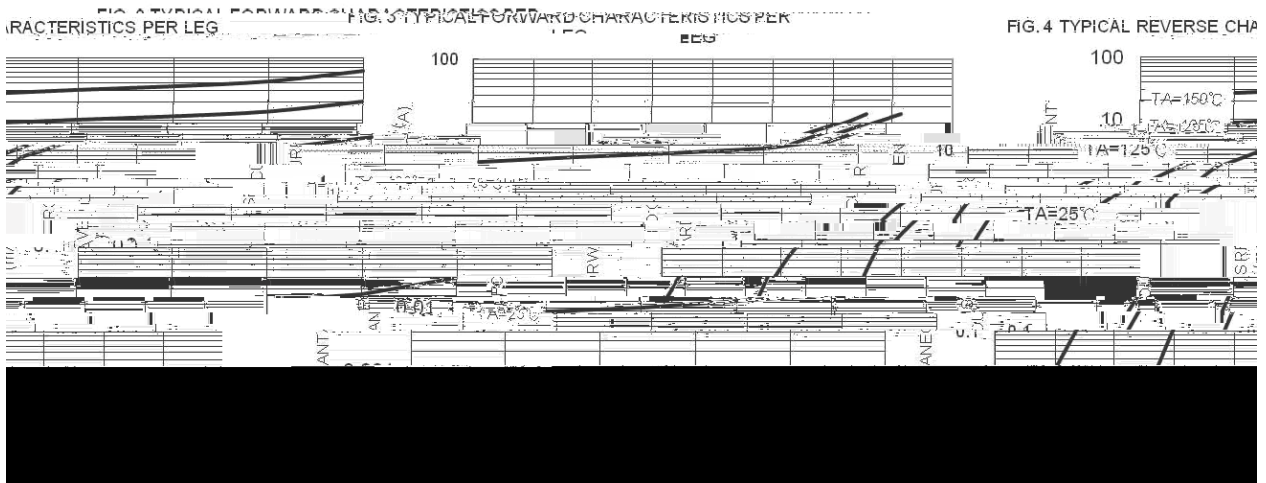
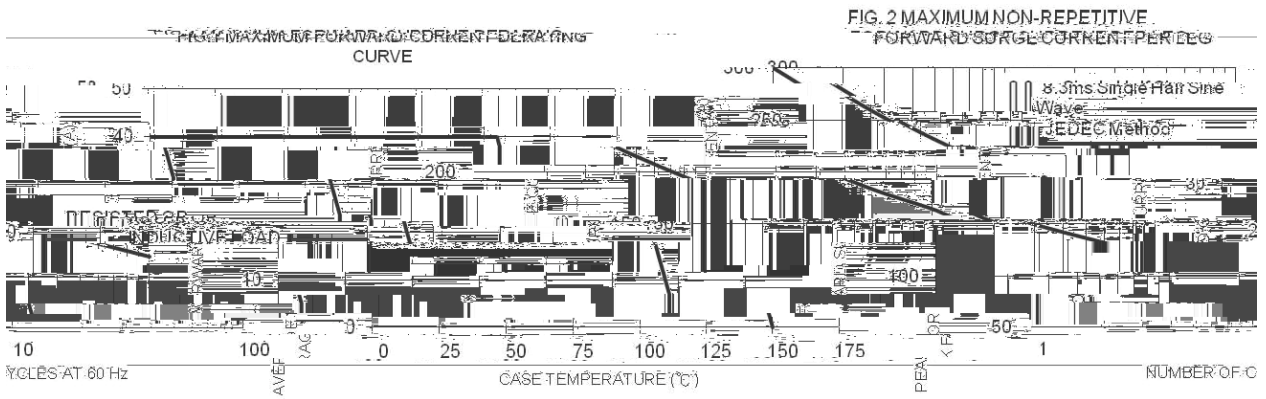


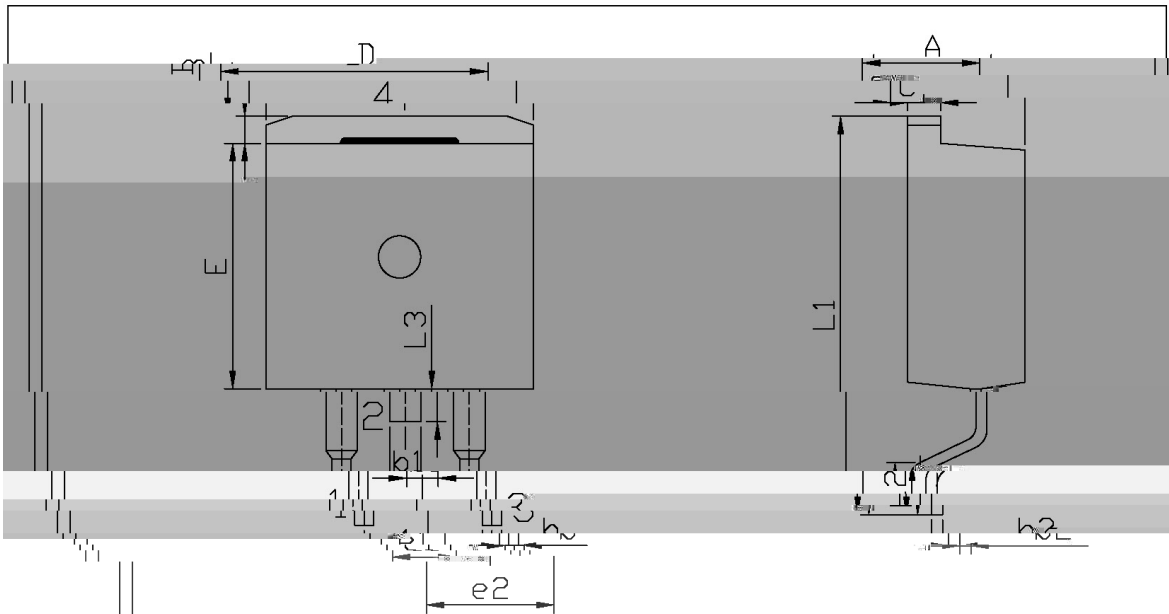
PIN1 Anode PIN 2 4 Cathode PIN 3 Anode

See Marking Instructions.

Parameter	Symbol	Rating	Unit
Peak Repetitive Reverse Voltage Working Peak Reverse Voltage DC Blocking Voltage	V_{RM} V_{RSM} V_{DC}	100	V
RMS Reverse Voltage	V_{RMS}	70	V
Average Rectified Forward Current	$I_{F(AV)}$	2×20	A
Non Repetitive Peak Surge Current	I_{FSM}	300	A
Thermal Resistance Junction to Case	R_{Jc}	1.8	/W
Junction and Storage Temperature Range	T_j T_{stg}	-40 +150	

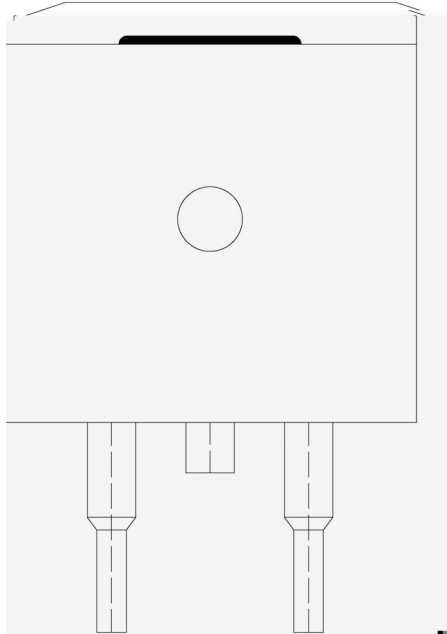
Parameter	Symbol	Test Conditions	Min	Typ	Max	Unit
Reverse Voltage	V_{BR}	$I_R=1mA(T_a=25^\circ C)$	100			V
Forward Voltage	V_F	$I_F=5A(T_a=25^\circ C)$		0.45		V
		$I_F=10A(T_a=25^\circ C)$		0.54		V
		$I_F=20A(T_a=25^\circ C)$		0.67	0.75	V
		$I_F=5A(T_a=125^\circ C)$		0.38		V

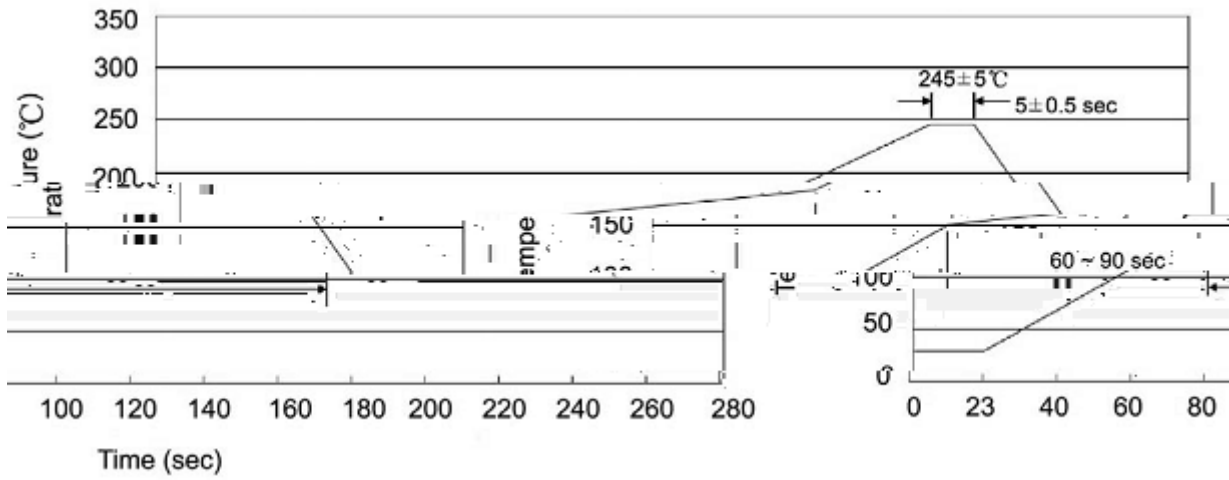




单位: mm

Dimensions in Millimeters		Dimensions in Millimeters	
Max	Min	Max	Min
9.40	A	4.70	E
2.74	B	1.40	e1




Note:

- | | | | | | |
|---|-------|-----|----|-----------|---|
| 1 | 25 | 150 | 60 | 90sec; | 1.Preheating:25~150 , Time:60~90sec. |
| 2 | 245±5 | | | 5±0.5sec; | 2.Peak Temp.:245±5 , Duration:5±0.5sec. |
| 3 | | | 2 | 10 /sec. | 3. Cooling Speed: 2~10 /sec. |

260±5

10±1 sec.

Temp.:260±5

Time:10±1 sec

/ REEL

Package Type	Units		Dimension	(unit mm ³)
	Units/Reel	Reels/Inner Box		