

MJE15037B

Rev.E May.-2016

/ Descriptions

TO-263 PNP Silicon PNP transistor in a TO-263 Plastic Package.

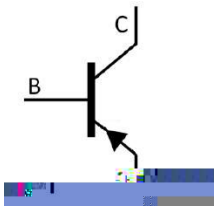
/ Features

- - MJE15036B
High DC current gain, High V_{CE0} , High f_T . Complementary pair with MJE15036B.

/ Applications

Designed for us as high-frequency drivers in audio amplifiers.

/ Equivalent Circuit



/ Pinning



PIN1 Base PIN 2 4 Collector PIN 3 Emitter

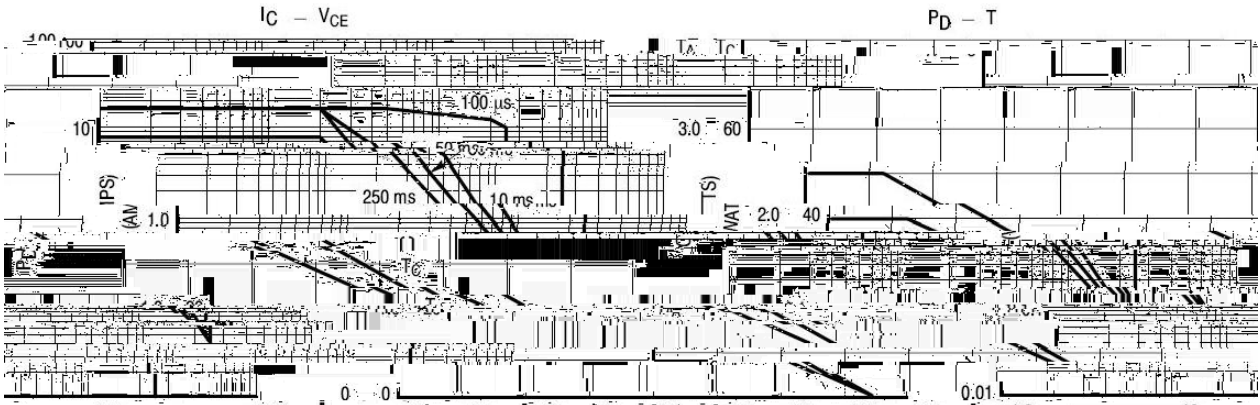
/ h_{FE} Classifications & Marking

See Marking Instructions.

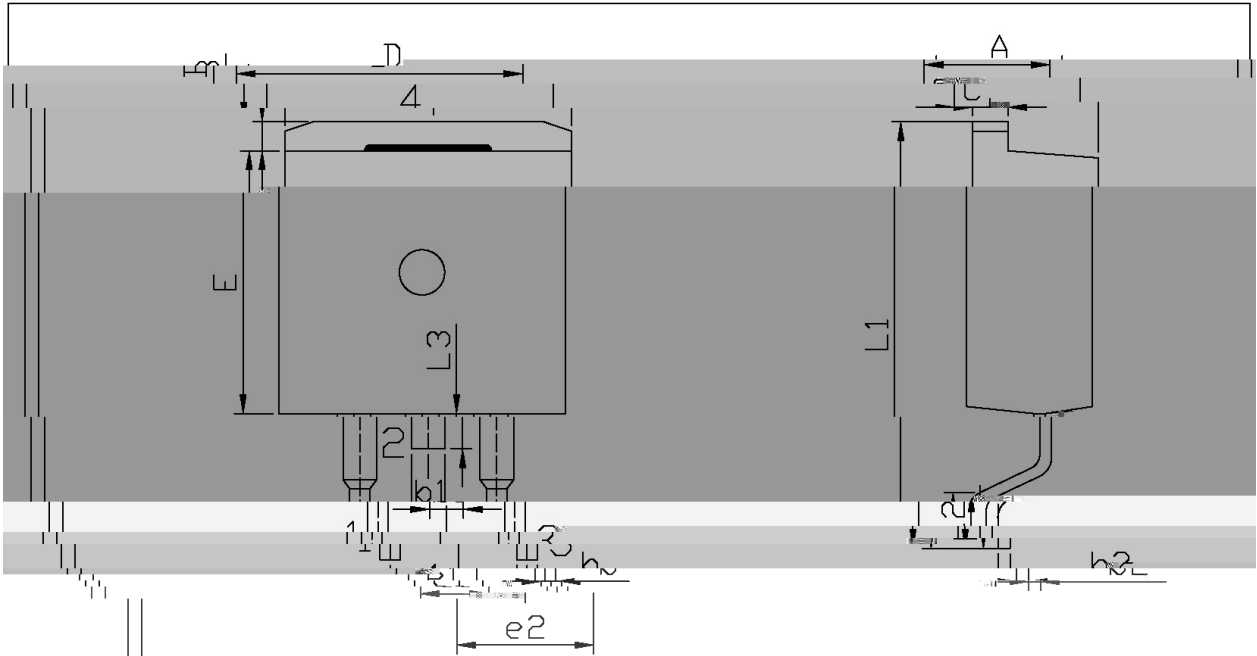
Parameter	Symbol	Rating	Unit
Collector to Base Voltage	V_{CBO}	-250	V
Collector to Emitter Voltage	V_{CEO}	-250	V
Emitter to Base Voltage	V_{EBO}	-5	V
Collector Current - Continuous	I_C	-8	A
Base current	I_B	-2	A
Total power dissipation	P_D	2	W
Total power dissipation	$P_D(T_c=25^\circ C)$	50	W
Junction Temperature	T_j	150	
Storage Temperature Range	T_{stg}	-65 150	
Thermal Resistance Junction-case	R_{JC}	2.5	/W
Thermal Resistance Junction-ambient	R_{JA}	62.5	/W

Parameter	Symbol	Test Conditions	Min	Typ	Max	Unit
Collector to Emitter Breakdown Voltage*	$*V_{CEO}$	$I_C=-10mA$ $I_B=0$	250			V
Collector Cut-Off Current	I_{CBO}	$V_{CB}=-250V$ $I_E=0$			-1	μA

/ Electrical Characteristic Curve



/ Package Dimensions



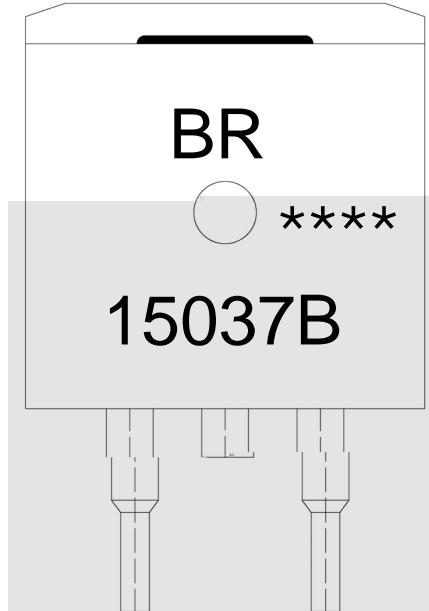
单位: mm

Dimensions in Millimeters

Symbol	Min	Max	Symbol	Min	Max
A	4.30	4.70	E	0.90	0.90
B	1.00	1.40	L1	0.90	0.90
C	0.90	0.90	L2	0.90	0.90
D	4.30	4.70	L3	0.90	0.90
E	0.90	0.90	e1	0.90	0.90
L1	0.90	0.90	e2	0.90	0.90
L2	0.90	0.90	h1	0.90	0.90
L3	0.90	0.90	h2	0.90	0.90
e1	0.90	0.90	h3	0.90	0.90
e2	0.90	0.90	h4	0.90	0.90



/ Marking Instructions



BR

15037B

Note:

BR: Company Code

15037B: Product Type.

****: Lot No. Code, code change with Lot No.

